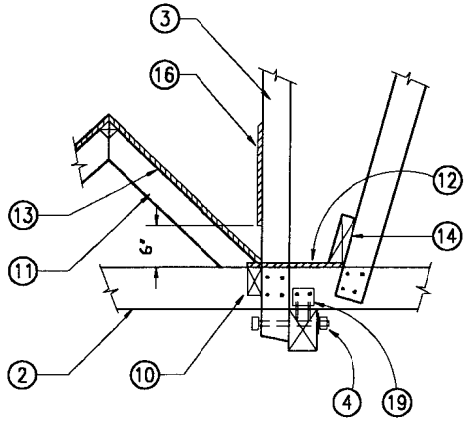


PLYWOOD CUTTING DETAIL



HOPPER DETAIL

1. skids, 4" x 6" x 10'-0", hole each end for towing; soak in wood preservative
  2. 2" x 6" joists
  3. studs - 2" x 4" x 5'-2"
  4. 1/2" x 8" bolt, end and middle studs
  5. 2" x 4" x 5'-0" blocking each end
  6. vertical dividers, 2" x 4" x 3'-0"
  7. rafters, 2" x 4" x 7'-10"
  8. ridge board, 2" x 4"
  9. 1" x 6" x 4'-0" supports
  10. blocking between joists
  11. hopper joists, 2" x 4"
  12. floor, 9 mm plywood, 16" x 7'-10"
  13. hopper, 9 mm plywood, 32" x 7'-10"
  14. manger front, 2" x 8" x 7'-10"
  15. horizontal tie (one only)
  16. hopper side panels, 9 mm plywood, 3'-6" x 7'-10"
  17. roofing, 9 mm plywood, lapp 3", roll or steel roofing optional
  18. roof hatch and cover
  19. steel angle, 2" x 2" x 3" x 3/16"
  20. for feed of 10% roughage suspend chain at 3 points for agitation
  21. 9 mm exterior plywood cladding
  22. fascia, 2" x 4" x 7'-10"
  23. for large calves, increase frame spacing to 19"
- Sheathing, 9 mm plywood or OSB
24. end panels - 4 sheets
25. hopper side panels and hatch frame - 2 sheets
26. hopper and manger 2 sheets roofing - 4 sheets



## PORTABLE CALF CREEP FEEDER

Designed: D.D.	Plan
Drawn: D.D.	1611
Date: R 1998-04	
Scale:	