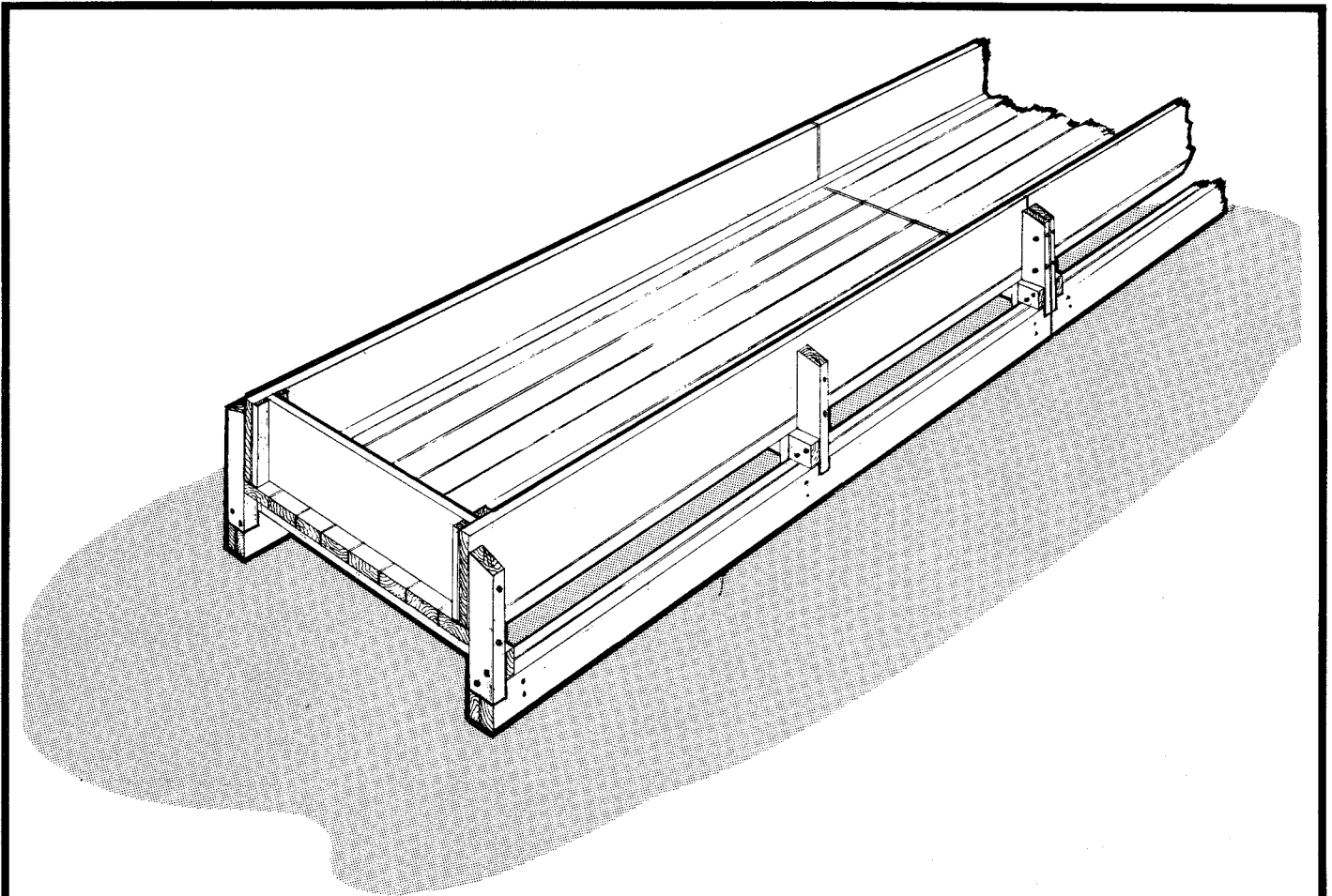


EXPANDABLE FEED BUNK



REVISED 80:06 (WAS 1378)

This feed bunk is popular for starting calves on full feed or for fattening animals. Built on skids, it can be easily moved from place to place in the year or pasture. The length can be any increment of 12'.

Construction of the bunk is quite easy. 2" x 4" joists are placed across double 2" x 6" skids. The bed of the bunk

consists of 2" x 6" mm flooring; sides and end boards are 2" x 12" mm planking.

The bunk is bolted together for sturdiness to withstand the abuse of cattle and frequent movings.

Always place the bunk in a well-drained location.

EXPANDABLE FEED BUNK

PLAN 1623

- 1. 2'-2" x 6" x 12'-0" skids
- 2. 1/4" x 5" carriage bolt
- 3. 2" x 4" x 4'-8" joist
- 4. 2" x 2" x 1/4" steel angle 8" long at upright 5

- 5. 2" x 4" x 1'-6" upright
- 6. 2" x 6" x 12'-0" flooring
- 7. 2" x 12" or 2" x 10" side plank
- 8. 1/4" x 7" carriage bolt
- 9. 2" x 2" cant strip
- 10. 1" x 2" x 1'-0" guide
- 11. end board to match 7

