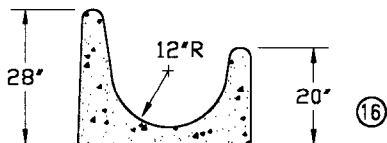
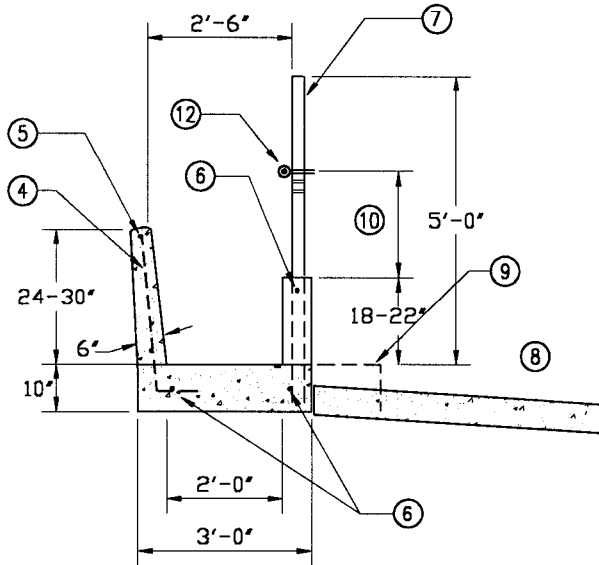
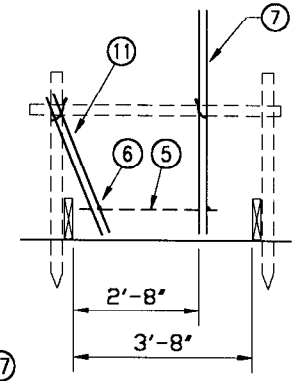
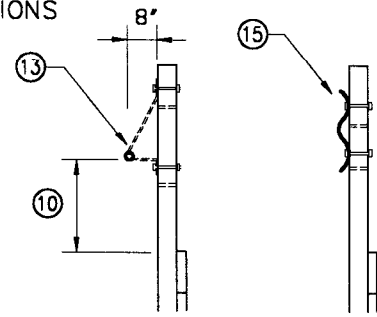
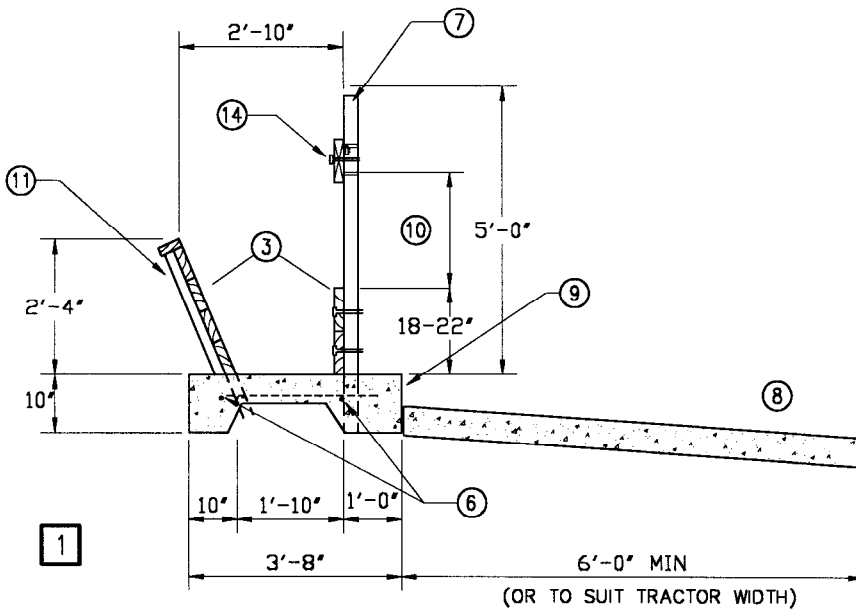


HEAD RAIL OPTIONS



1. pipe & plank bunk option
2. concrete bunk options
3. 2" plank
4. 10M vert rebar 18" oc
5. 10M horiz rebar
6. 15M horiz rebar
7. 3" steel post 6' oc
8. 5-6" concrete apron, slope 3%
9. 12" x 5" step, optional
10. height variable: 16"-22"
11. 2" pipe or double angle iron
12. 1/2" cable in eyebolt
13. pipe on steel brackets
14. 2 x 8 rough plank
15. highway guard rail section
16. slip formed or precast concrete
17. forming for bunk type 1



Designed: D.D./O.K.  
 Drawn: D.D.  
 Date: 1995-09 R01/06  
 File name: CPS1633

Plan 1633

FENCELINE  
 FEED BUNKS

