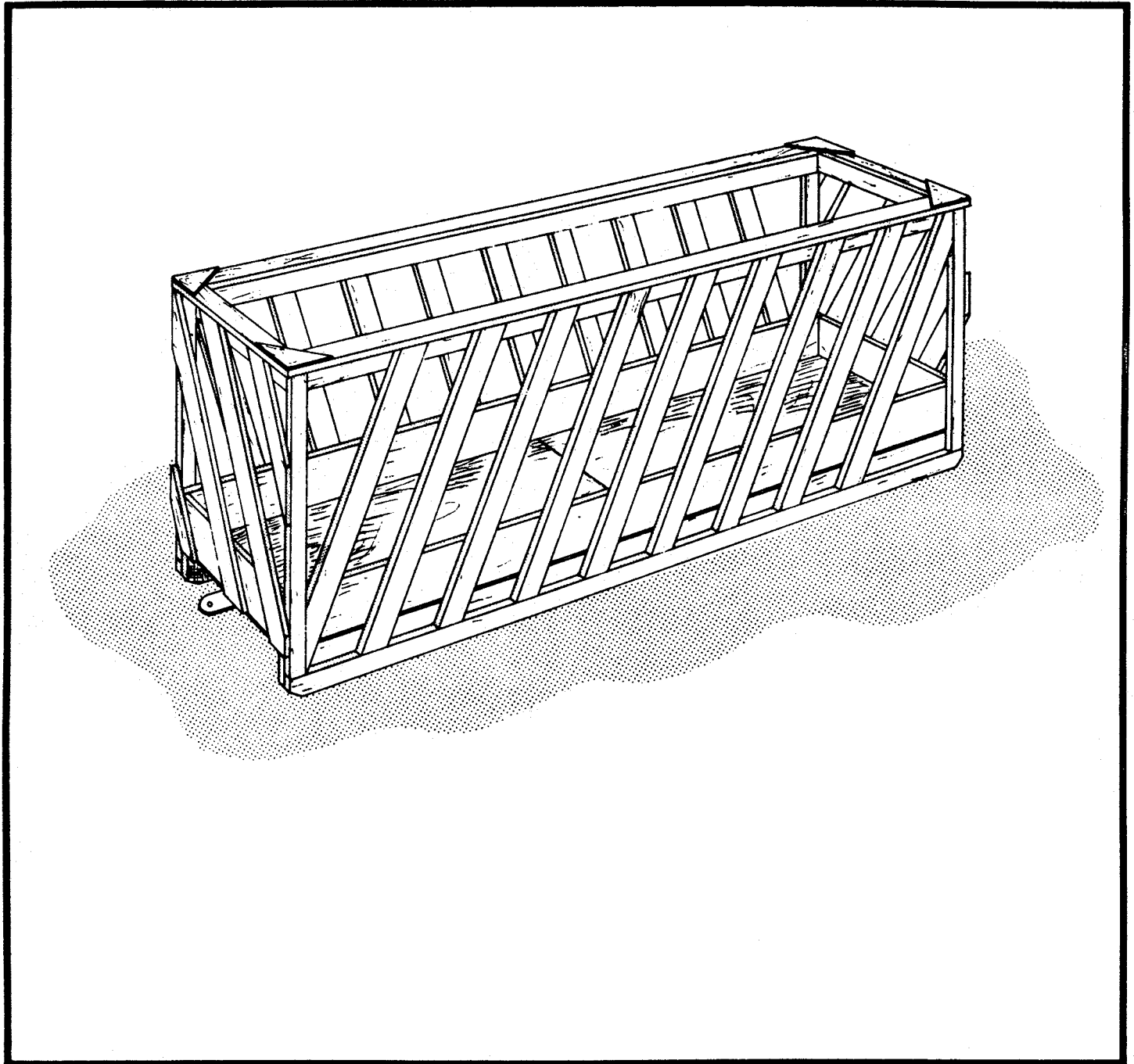


PORTABLE HAY FEEDER



The Canada Plan Service prepares detailed plans showing how to construct modern farm buildings, livestock housing systems, storages and equipment for Canadian Agriculture.

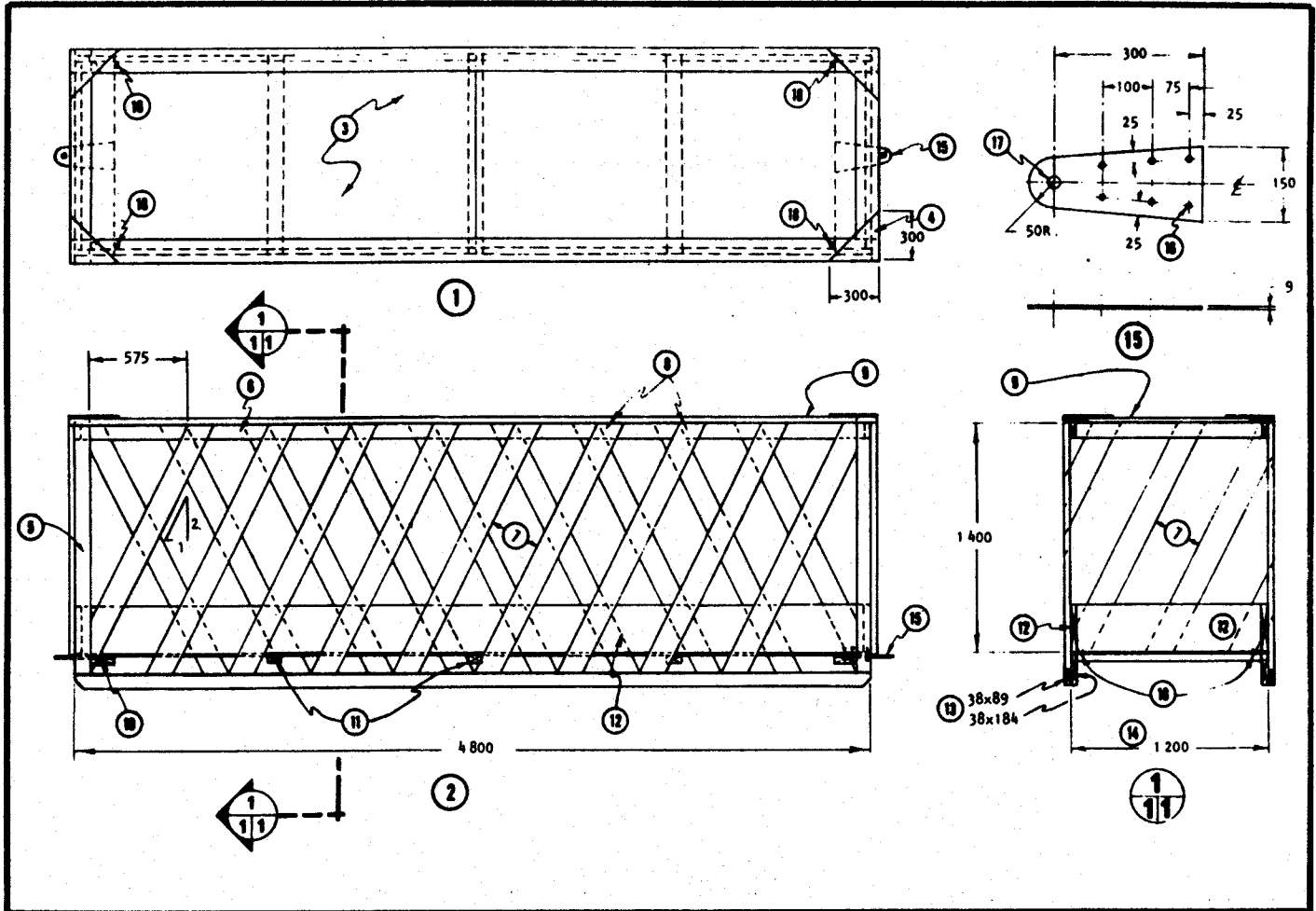
This leaflet gives the details for a farm building component or piece of farmstead equipment. To obtain another copy of this leaflet, contact your local provincial agricultural engineer or extension advisor.

PORTABLE HAY FEEDER

PLAN M•1646 NEW 78:12

This portable feeder is a proven hay-saving design for free-choice supplementary hay feeding in field, feedlot or loose-housing barn. The sloping spacers allow cattle of various

sizes to feed comfortably with heads inside the feeder. This helps to reduce waste since cattle do not have to withdraw their heads to stand and chew. Do not over-fill, otherwise cattle can remove the hay without reaching through the spacer planks.



- | | |
|---------------------------------|--|
| 1. plan view | 11. 38 x 89mm stiffeners |
| 2. side view | 12. 38 x 286mm keeper |
| 3. 15mm plywood floor | 13. skids – 38 x 89 and 38 x 184mm |
| 4. 15mm plywood gussets | 14. if filled with grapple fork increase to 1800mm |
| 5. 38 x 89mm corner posts | 15. draw plate |
| 6. 38 x 89mm tie | 16. 6mm O-6 holes for 6 x 50mm lag screw
2 screws from bottom into keeper
4 screws through floor into draw bar |
| 7. 300mm, beef and dairy cattle | 17. 25mm O hole |
| 8. 38 x140mm spacers | 18. 25mm O drain hole |
| 9. 38 x140mm plate | |
| 10. 38 x140 draw bar | |