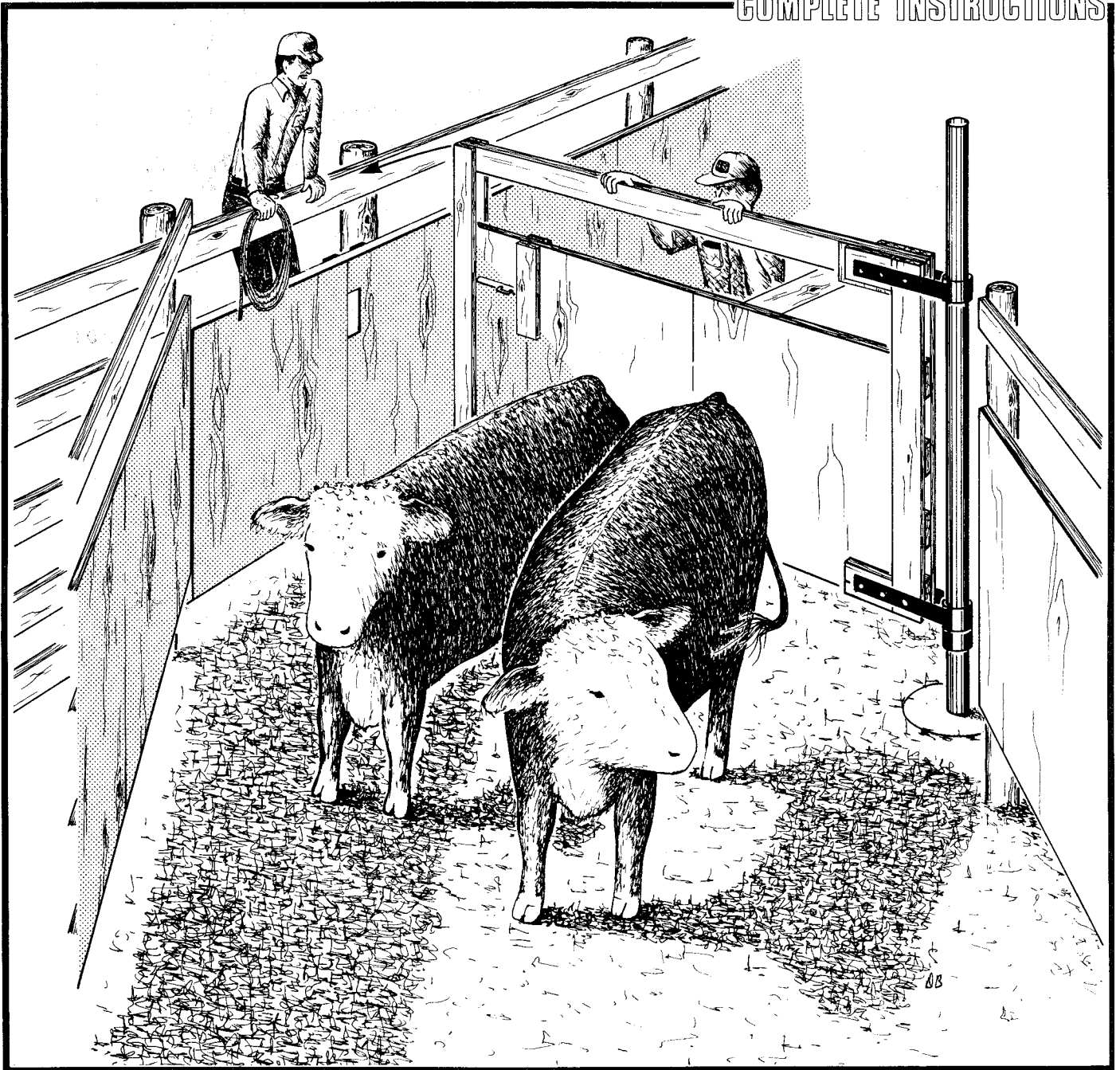


## CROWDING GATE

COMPLETE INSTRUCTIONS

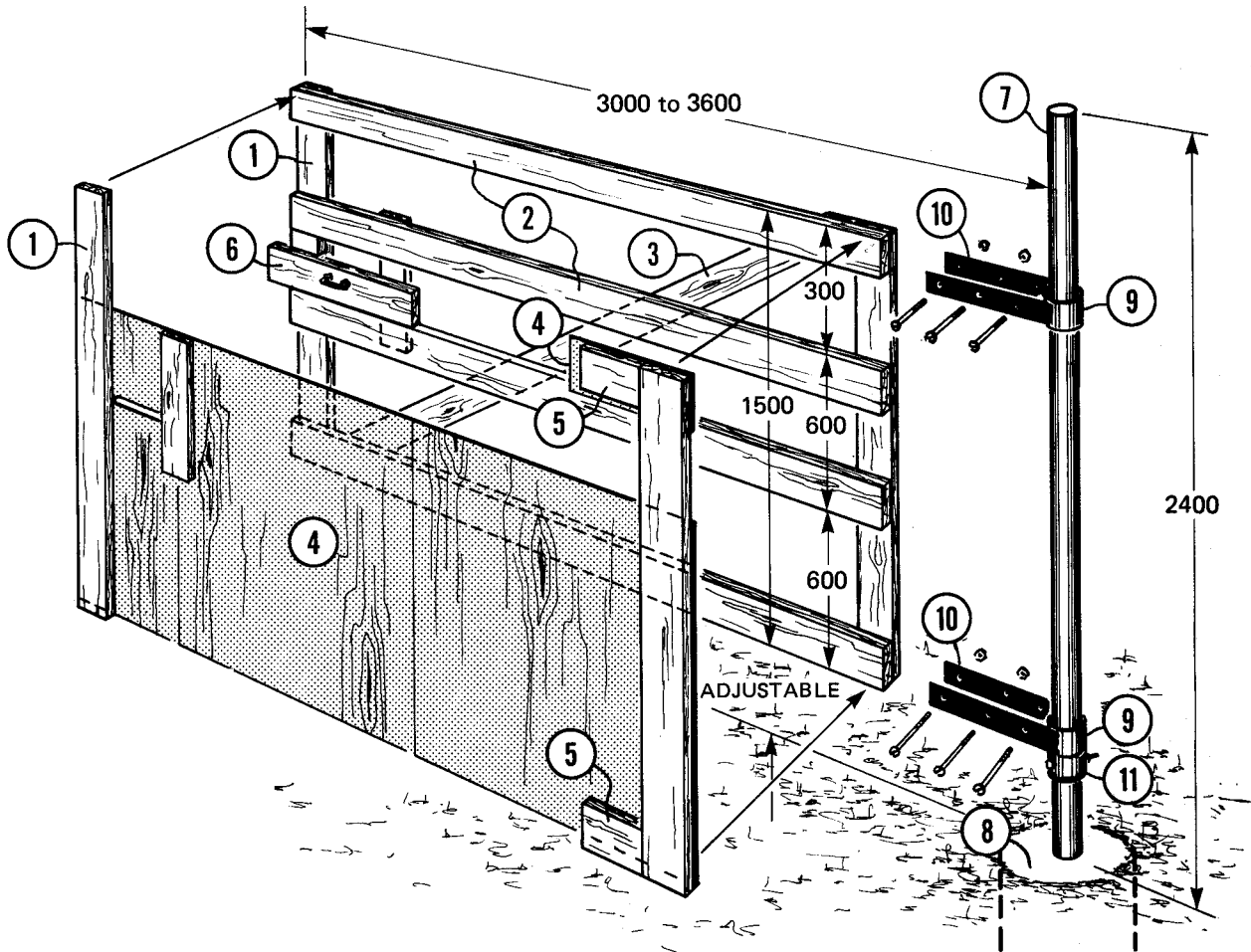


The Canada Plan Service prepares detailed plans showing how to construct modern farm buildings, livestock housing systems, storages and equipment for Canadian Agriculture.

This leaflet gives the details for a farm building component or piece of farmstead equipment. To obtain another copy of this leaflet, contact your local provincial agricultural engineer or extension advisor.

# CROWDING GATE

PLAN N-1812 REVISED 83:12



- 1 19 x 140 mm gate uprights
- 2 38 x 140 mm gate rails
- 3 19 x 140 mm cross bracing
- 4 9.5 mm plywood sheathing, face grain vertical
- 5 19 x 140 mm spacer blocking
- 6 latch board from 38 x 140 mm; U-bolt handle
- 7 3 1/2" x 3600 mm long pipe post
- 8 concrete backfill to 1200 mm deep; in soft soils, increase diam. of post hole and concrete
- 9 4" pipe x 75 mm long hinge sleeve (rotates on post 7), grease as necessary
- 10 10 x 75 x 400 mm hinge strap (weld to hinge sleeve 8) secure to gate members with M10 machine bolts
- 11 4" pipe x 75 mm long collar; drill post 7 and collar for 3/8" bolt, drill additional holes in post for vertical adjustment