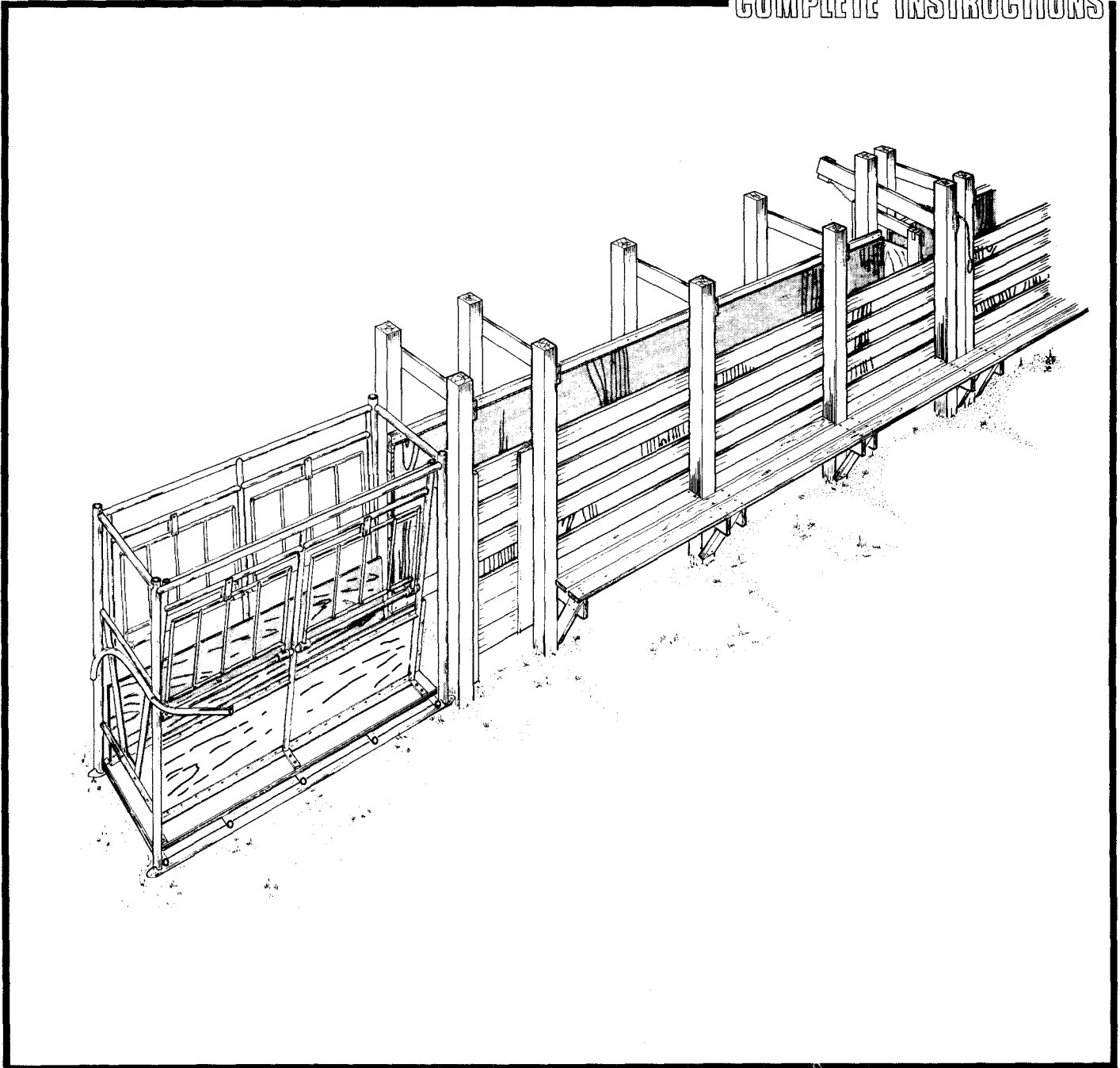


WORKING CHUTE

COMPLETE INSTRUCTIONS

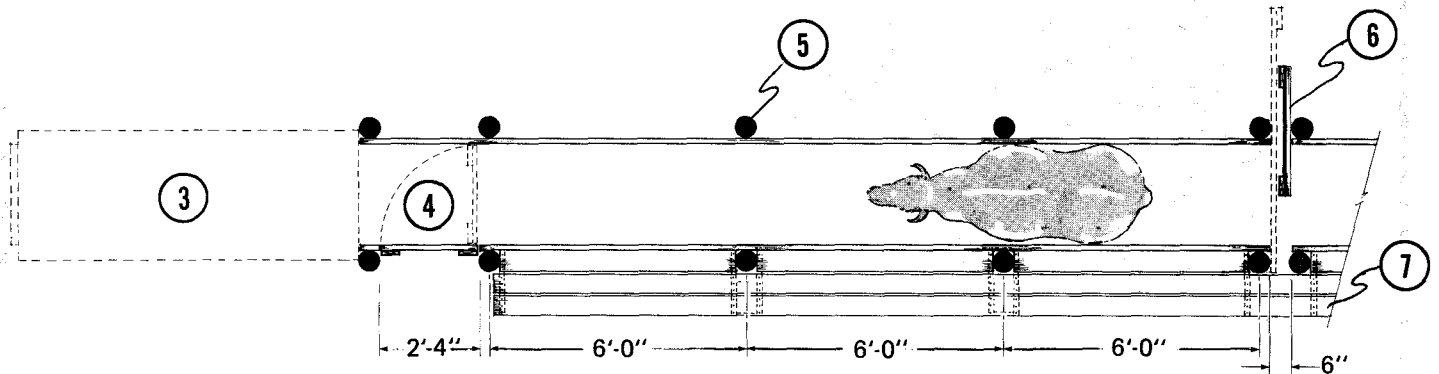
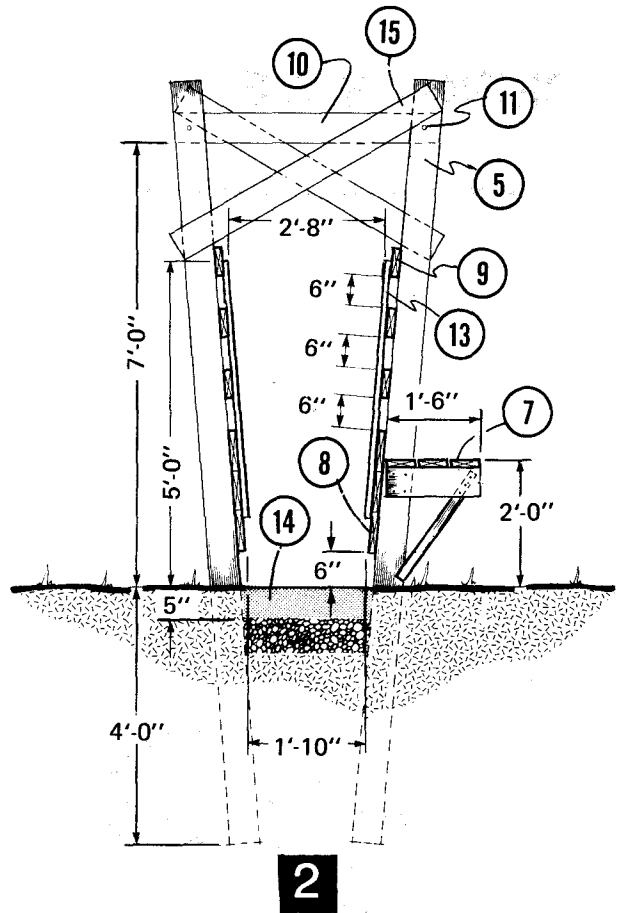
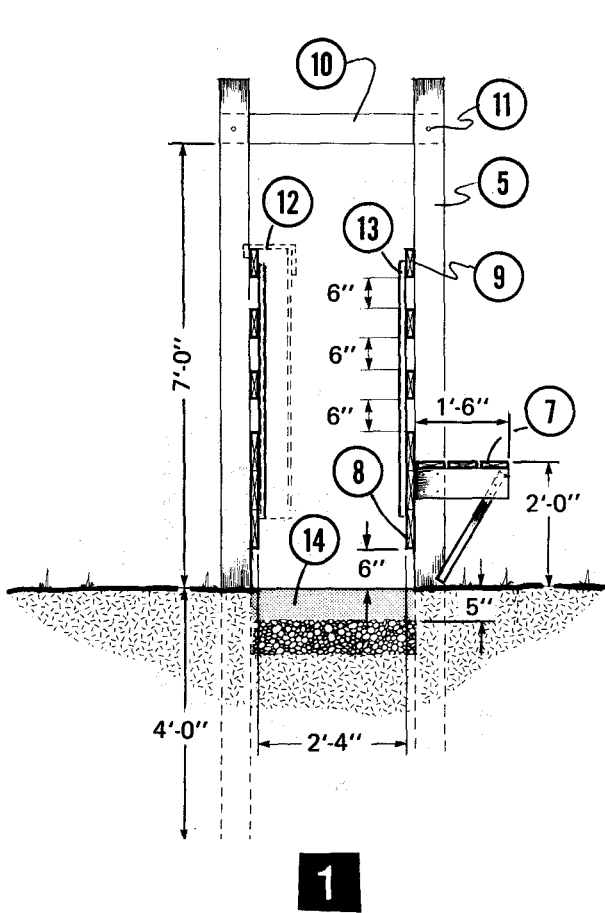


The Canada Plan Service prepares detailed plans showing how to construct modern farm buildings, livestock housing systems, storages and equipment for Canadian Agriculture.

This leaflet gives the details for a farm building component or piece of farmstead equipment. To obtain another copy of this leaflet, contact your local provincial agricultural engineer or extension advisor.

WORKING CHUTE

PLAN 1813 REVISED 84:07



- 1 straight chute section
- 2 alternate tapered chute section; chute dimensions recommended for feeder cattle up to 1000 lb; heavier cattle and some exotic breeds may need a wider chute
- 3 commercial pipe frame headgate and cattle squeeze
- 4 access gate to close across chute
- 5 5"-top dia., or 4" x 6" x 12'-0" CCA pressure-treated sawn poles
- 6 blocking gate (see leaflet 1814)
- 7 catwalk 3 - 2" x 6" on 2" x 6" each side of pole, 2" x 6" x 2'-0" brace to pole 5

- 8 3 - 2" x 8" bottom rails
- 9 3 - 2" x 6" top rails
- 10 2" x 6" cross-tie
- 11 8" carriage bolt
- 12 optional filler (for handling young cattle); 2" x 6" @ 2'-0" oc and 4'-0" high plywood, suspend from 9
- 13 3/8" exterior select sheathing plywood, face grain vertical
- 14 optional rough-textured concrete base on compacted granular fill
- 15 temporary cross-bracing to pole pairs while locating and tamping into position