

- 1 floor plan
- 2 feed passage
- 3 tombstone feed fence, see 2658 for details
- 4 heated waterer
- 5 feed alley, tractor scrape
- 6 bedded pack pen area, 8 heifers/pen
- 7 telescoping pipe gates
- 8 swinging pen partitions, height adjustable
- 9 16'-0" pressure-treated poles @ 8'-0" o.c., concrete footing required
- 10 8'-0" pressure-treated intermediate poles @ 8'-0" o.c. to support bedded pack
- 11 ridge vent, stops 8'-0" from each endwall
- 12 concrete ramp
- 13 overhead door
- 14 sliding door

SPECIFICATIONS

Unless otherwise specified, all cast-in-place concrete is to be at least 4,000 psi @ 28 days, 6% air entrained.

All reinforcing steel to be at least Grade 300 deformed bars; provide 2" concrete cover over reinforcing steel.

All exposed steel to be galvanized or painted to resist corrosion from moisture and manure gases.

All framing lumber is No. 2 (or better), S-P-F species group, unless otherwise specified.

All wood indicated 'pressure-treated' is CCA pressure-treated to a net retention of 0.4 lb/ft³ (ground contact specification, CSA-080 Wood Preservation).

All nails exposed to treated wood, humid atmosphere or weather to be hot-dip galvanized.

This plan is designed to meet the requirements of the Canadian Farm Building Code.

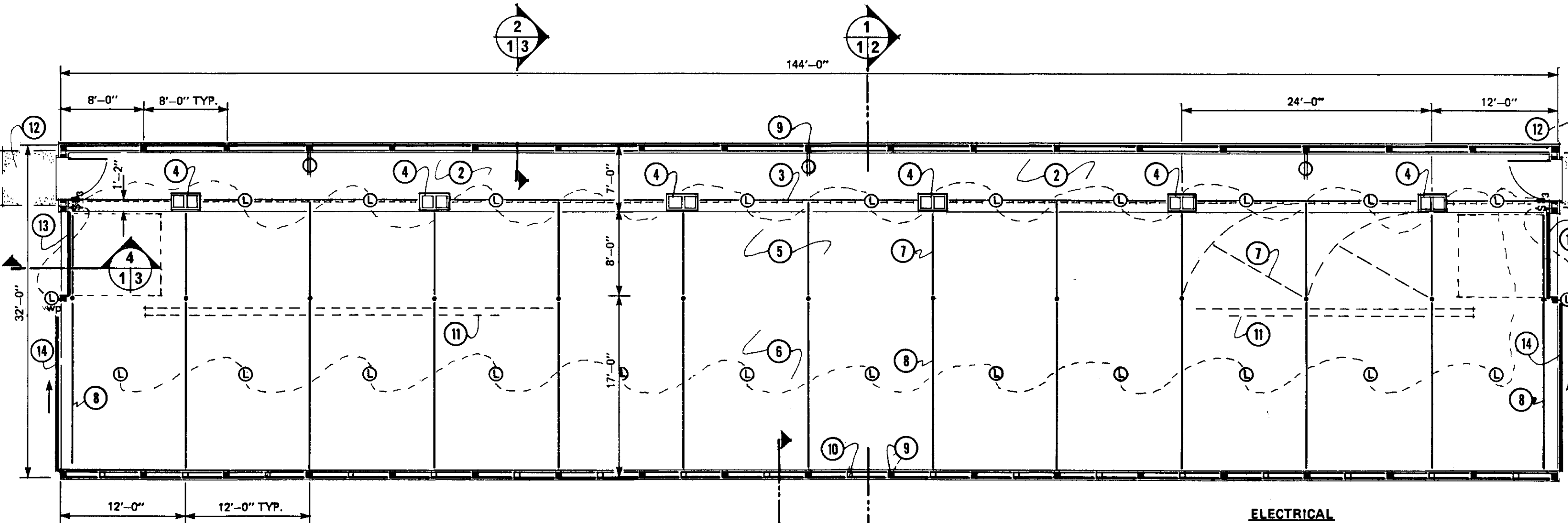
Notes thus marked indicate where this plan gives structural choices to be selected to meet local climatic loads (wind, snow), soil bearing capacity and other local conditions. The plan user must ensure that these requirements are met. Consult an engineer if you are not familiar with the details required.

ONE SET OF DRAWINGS AND LEAFLETS SHOULD INCLUDE:

CPS no.	sheet no.	Title
2403	-1-	Bedded pack heifer barn
2403	-2-	Cross-section & details
2403	-3-	Wall sections

AND LEAFLETS

2403		Bedded pack heifer barn
2658		Tombstone feed fence for young & adult cattle
M-9102		Truss erecting and bracing
9312		Pole frame plate beam designs



1 Not To Scale

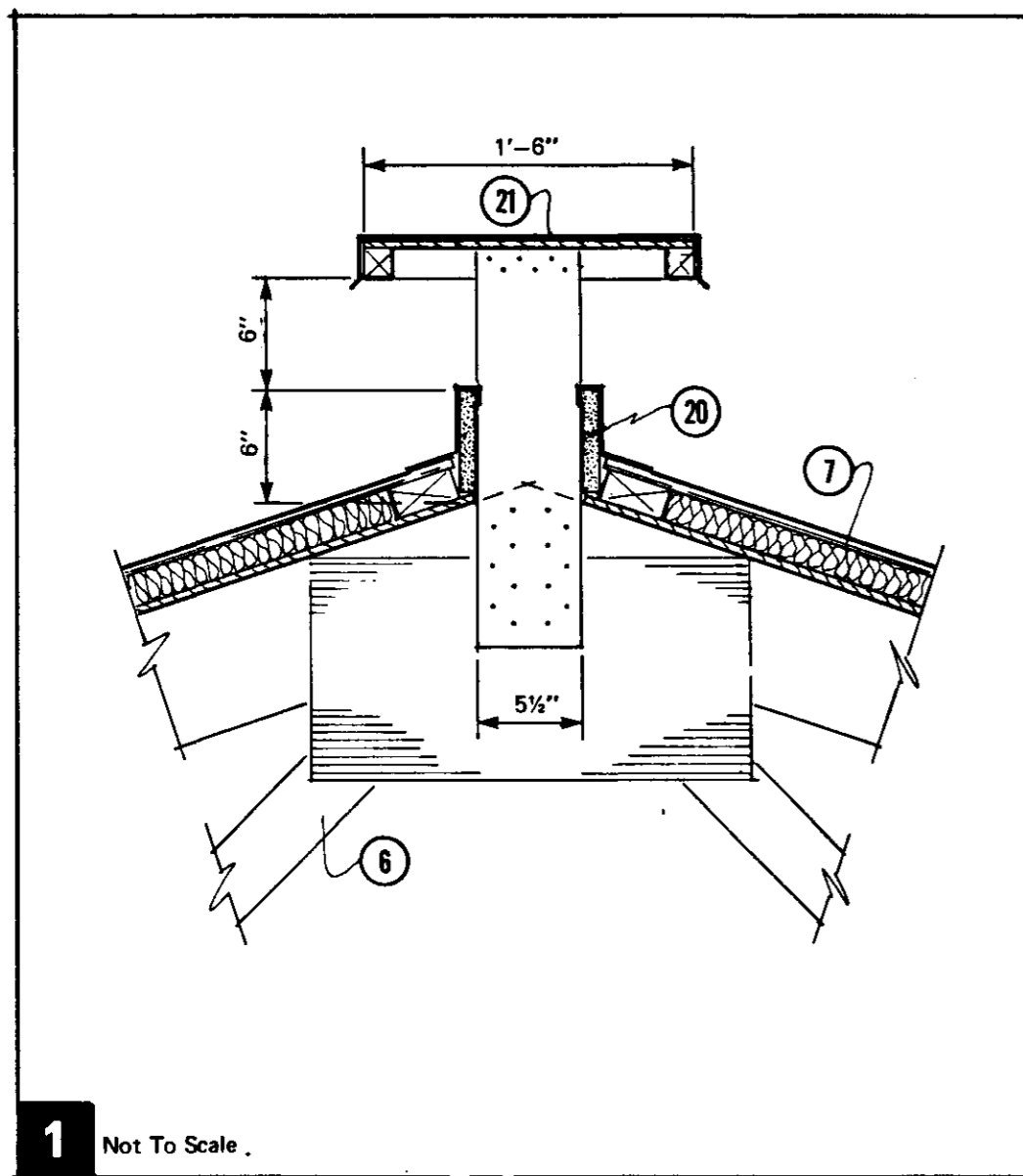
ELECTRICAL

- | | | |
|-----------------|-----------------|--------------------------------------|
| ceiling | wall | |
| ⊙ | ⊙ | Incandescent Lampholder |
| ⊙ _{wp} | ⊙ _{wp} | Weatherproof Incandescent Lampholder |
| ⊕ | ⊕ | Duplex Convenience Outlet |
| ⊕ | ⊕ | Single Pole Switch |
| ⊕ | ⊕ | Three Way Switch |

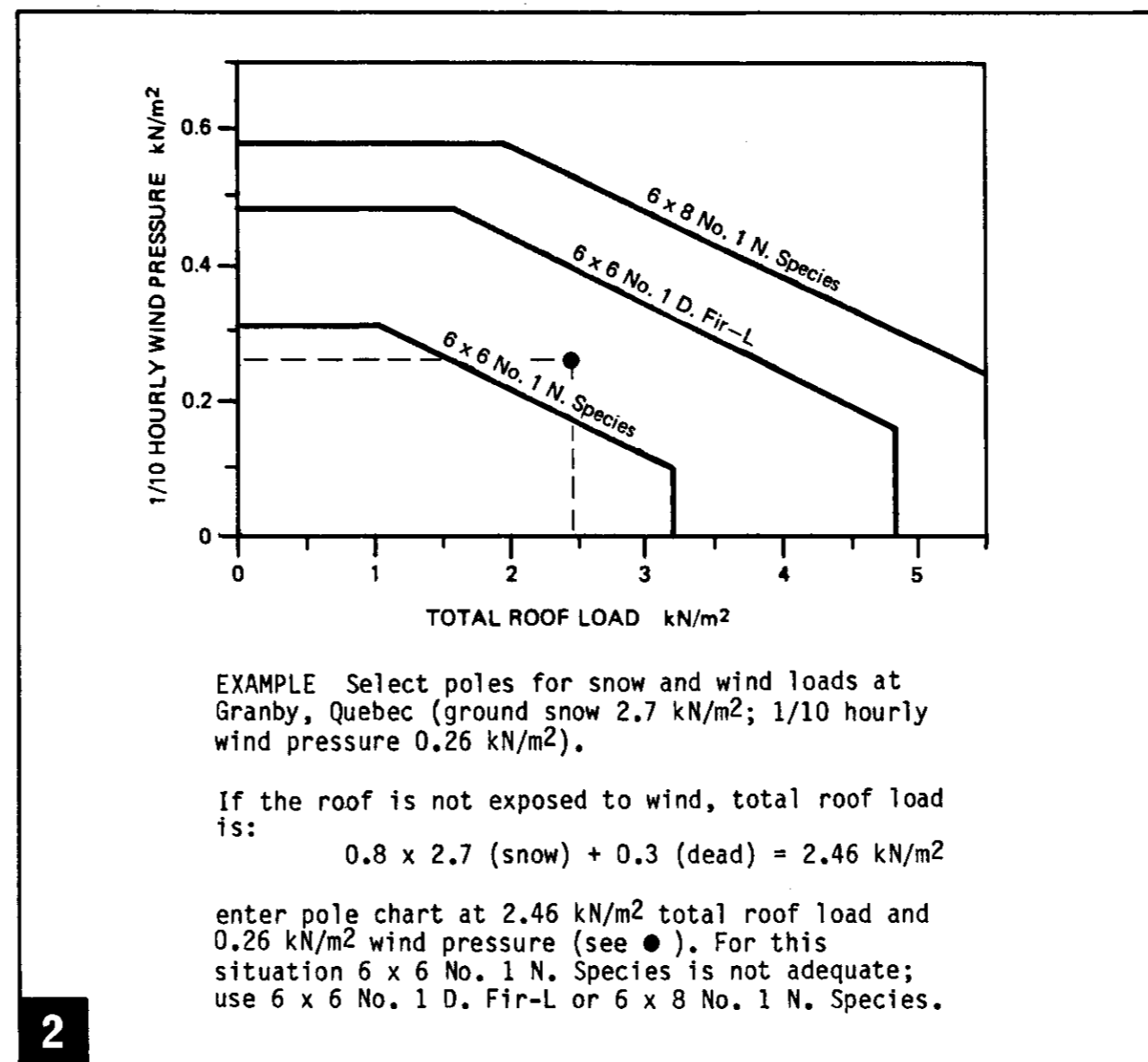
SYM	REVISIONS	CHECKED	DATE	APPROVED

BEDDED PACK HEIFER BARN

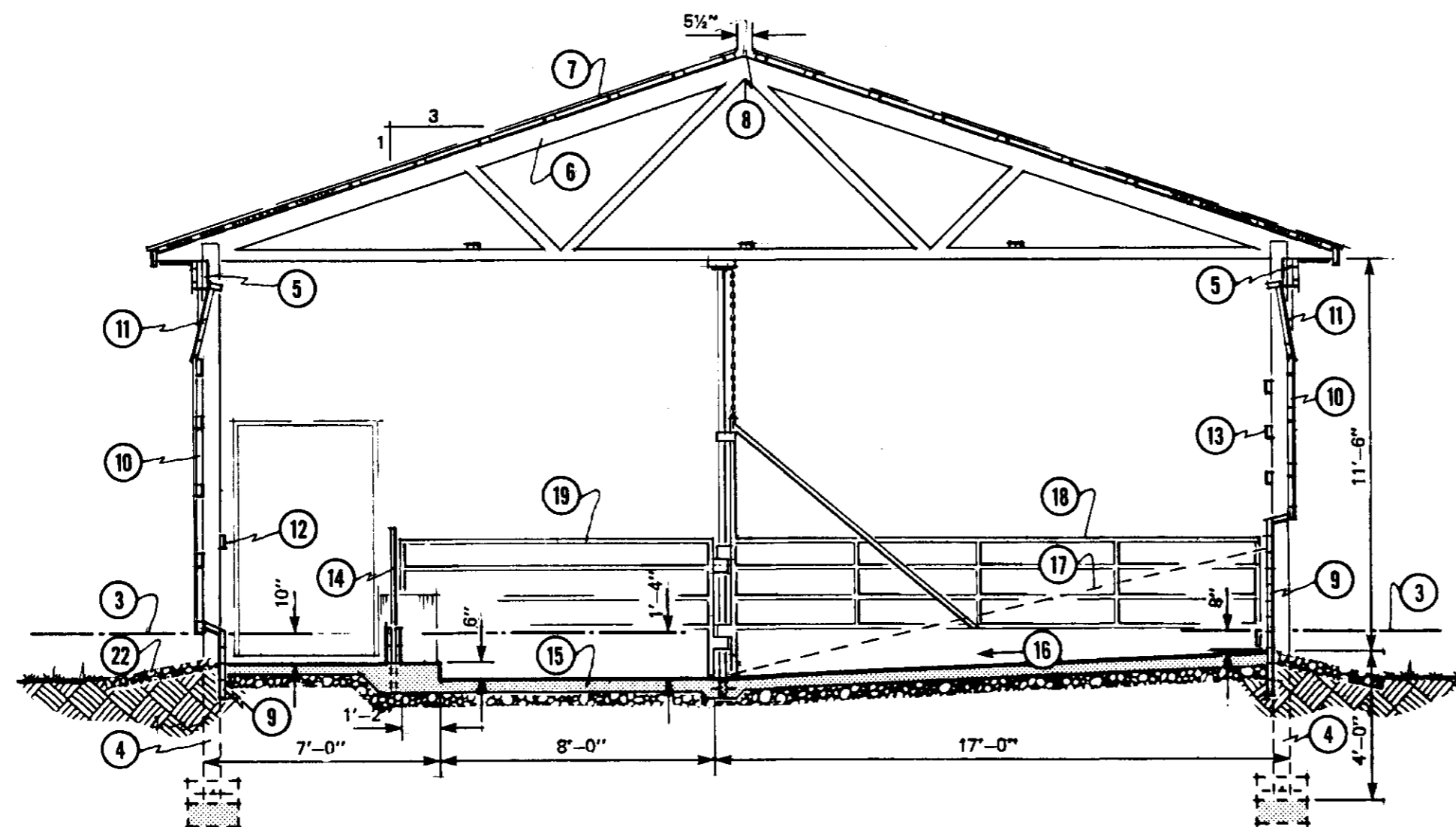
DESIGNED <i>JAM</i>	DATE 08-08	PLAN						
DRAWN <i>R. PELLA</i>	REVISED							
TRACED	<table border="1"> <tr> <td>A</td> <td>DETAIL NUMBER</td> </tr> <tr> <td>B</td> <td>ORIGINATES ON SHEET</td> </tr> <tr> <td>C</td> <td>DRAWN ON SHEET</td> </tr> </table>	A	DETAIL NUMBER	B	ORIGINATES ON SHEET	C	DRAWN ON SHEET	2403
A	DETAIL NUMBER							
B	ORIGINATES ON SHEET							
C	DRAWN ON SHEET							
CHECKED <i>H.A.J.</i>		SHEET 1 OF 3						



1 Not To Scale



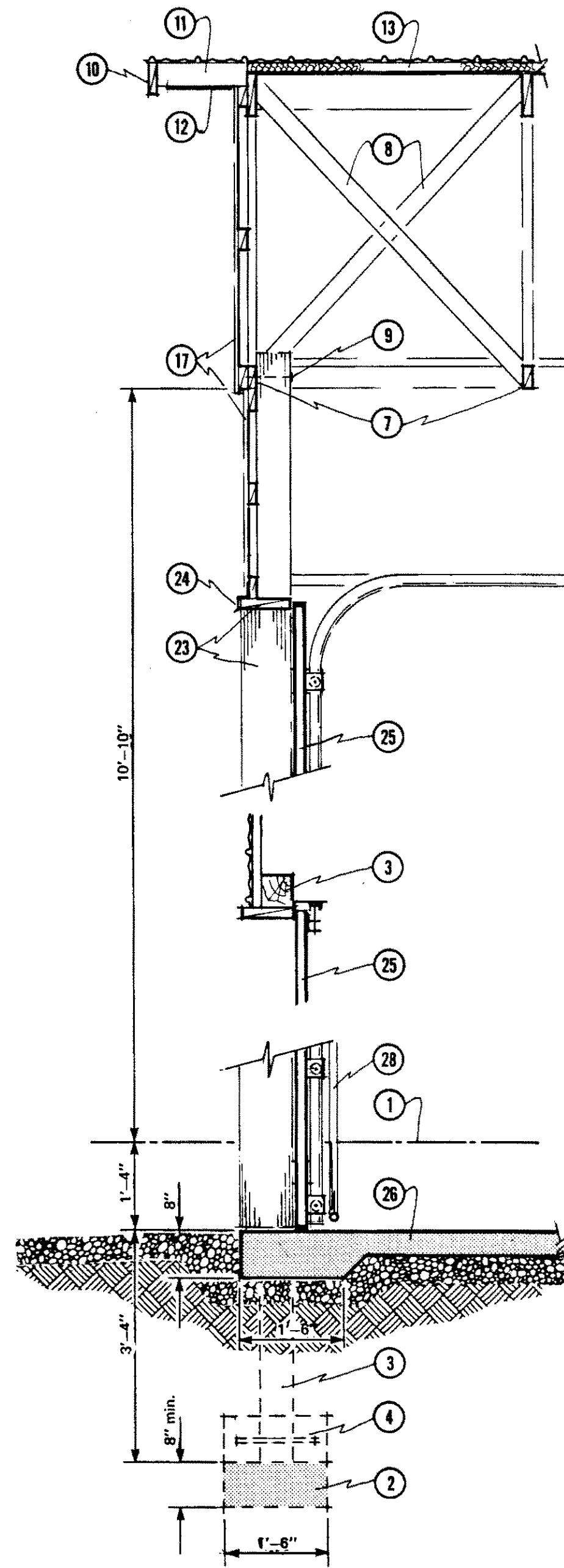
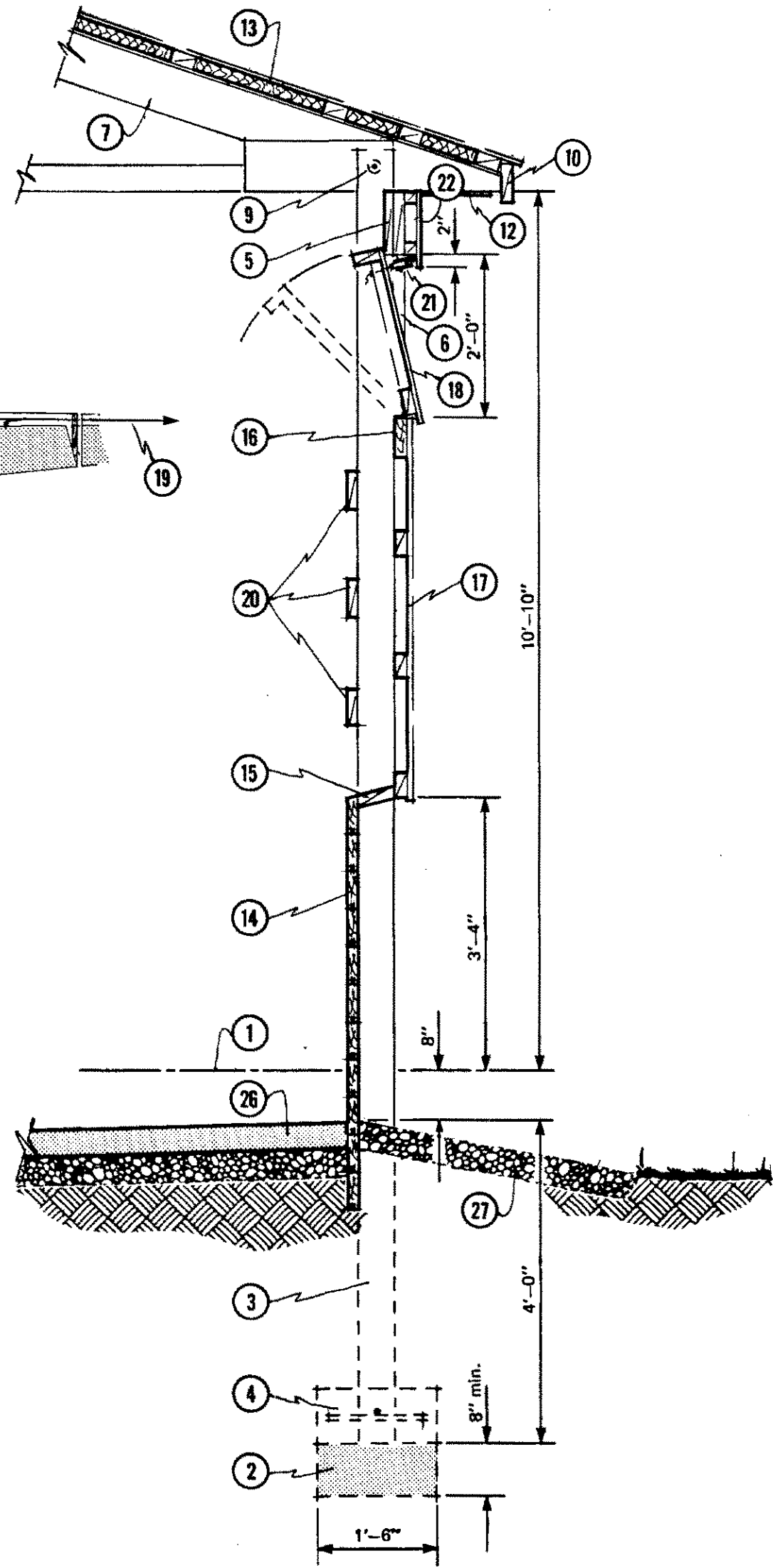
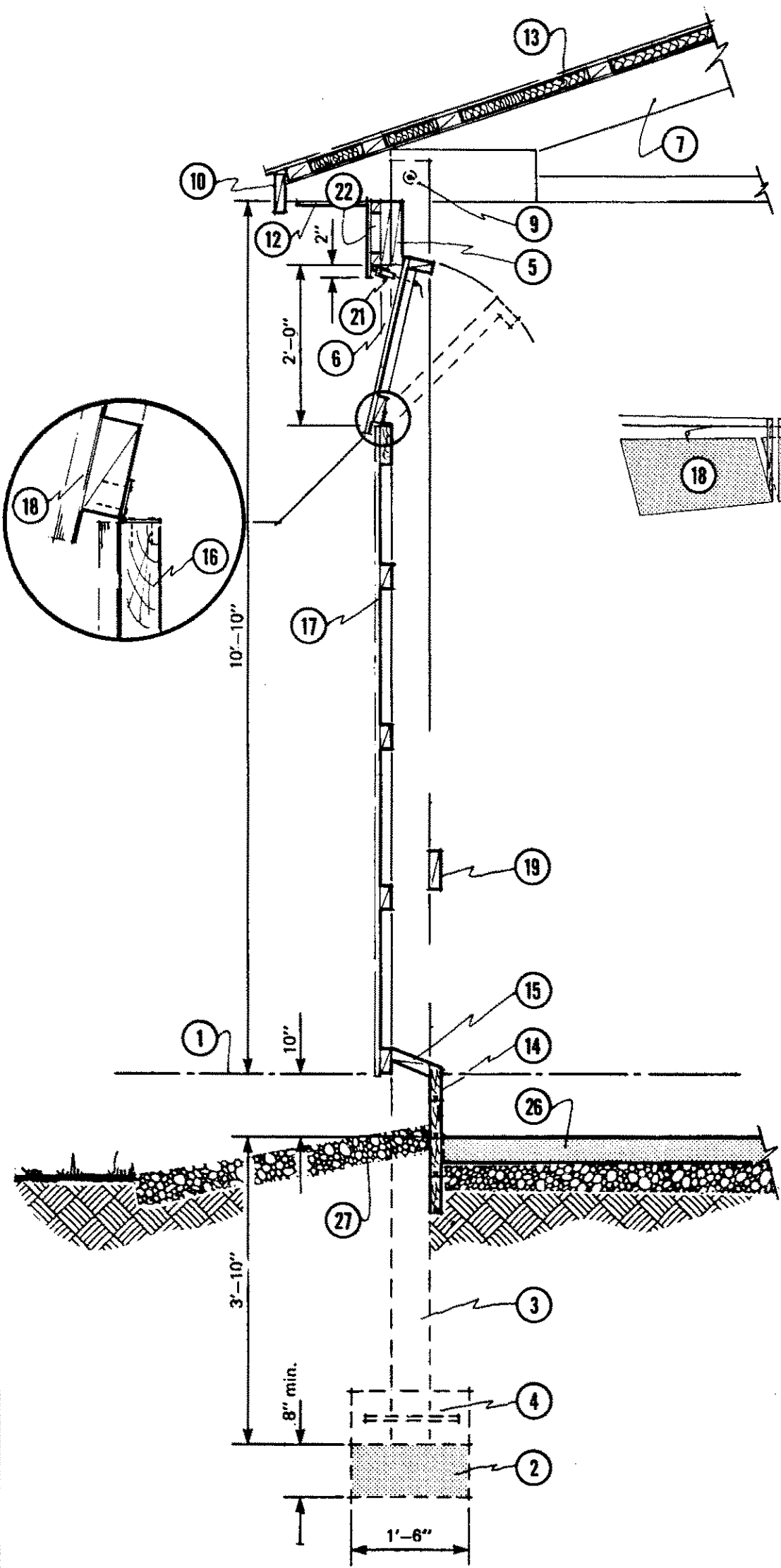
2



1
1/2 Not To Scale

- 1 optional ridge vent cap detail
- 2 pole selection chart
- 3 datum line
- 4 16"-0" pressure-treated poles @ 8"-0" o.c., intermediate 8' posts, required one side only, to support bedded pack; only 16' poles require footings
- 5 2-2 x 10 continuous plate beam
- 6 roof trusses @ 4'-0 o.c. or to suit local design snow loads, see M-9102 for bracing requirements
- 7 insulated roof construction, see (13) sht. 3
- 8 open ridge vent stops 8'-0" from each endwall, soak truss ridge joint and any joints directly below with wood preservative
- 9 2 x 6 pressure-treated splash planking
- 10 exterior wall construction, see sht. 3
- 11 tilt-in wall panel made of FRP translucent siding
- 12 2 x 6 guard rail, ht. to suit feed cart
- 13 2 x 6 guard planking, 3 @ 16" o.c.
- 14 tombstone feed fence, see 2658 for details
- 15 5" conc. floor on well compacted gravel fill
- 16 slope floor 8" to feed alley
- 17 top of bedded pack
- 18 steel pipe pen partition, moves vertically on steel post, chain & hook attachment holds gate above floor
- 19 telescoping gate
- 20 1" x 6" extruded polystyrene, covered with galv. metal flashing
- 21 ridge cap made of 2 x 6 uprights and 2 x 2 frame covered with 5/16" sheathing and galv. steel flashing; treat wood with preservative
- 22 3' x 4" deep coarse gravel splash pad

SYM	REVISIONS	CHECKED	DATE	APPROVED
DESIGNED <i>JAM</i>				DATE <i>88-08</i>
DRAWN <i>R. PELLA</i>				REVISOR
TRACED				DETAIL NUMBER <i>A</i>
CHECKED <i>H.A.J.</i>				ORIGINATES ON SHEET <i>B</i>
				DRAWN ON SHEET <i>C</i>
				CROSS-SECTION & DETAILS PLAN 2403 SHEET 2 OF 3



- 1 datum line
- 2 conc. footing, 1'-6" diam. good for 2.7 kN/m² total roof load on 200 kPa soil; top of all conc. footings same dimension below ①, pre-notch poles before erecting
- 3 16'-0" long pressure-treated poles, see ② sht. 2 for size
- 4 drill pole for 2-#4 x 1'-2" rebar, retreat holes with preservative; or use 8-6" spikes, place conc. around pole
- 5 notch poles 1 1/2" for 2-2 x 10 x 16' plate beam, stagger joints @ poles, good for 2.71 kN/m² total roof load (S-P-F) or 2.29 kN/m² (D. Fir), if greater see 9312; use extra member in all end spans
- 6 2'-0" long scab 5" galv. spiral nails

SPF 2 x 10	23
D. Fir-L 2 x 6	13
- 7 trusses @ 4'-0" o.c. or to suit local design snow loads, see M-9102 for bracing requirements
- 8 2 x 4 bracing, see M-9102 for details
- 9 1/2" bolt & washers, truss to pole; galv. framing anchors, intermediate trusses to ⑤
- 10 1 1/2" face board
- 11 blocking @ 2'-0" o.c., supports ⑩ & ⑫
- 12 1/2" plywood soffit, 1" continuous vent slot next to face board
- 13 roof construction: metal roofing; R5 insulation; 2 x 4 purlins @ 2'-0" o.c. max.; 6 mil polyethylene vapour barrier; 5/16" sheathing plywood
- 14 1 1/2" pressure-treated tongue & groove planking; stagger joints 8'-0" @ poles, nail each plank with 2-5" galv. nails
- 15 1 1/2" pressure-treated blocking between poles, edges bevelled to slope
- 16 2 x 6 pressure-treated girt
- 17 exterior wall construction: vertical metal siding; 2 x 4 strapping @ 2'-0" o.c.
- 18 tilt-in wall panel made of FRP translucent siding on 2 x 4 frame, hinge to ⑮
- 19 2 x 6 guard rail, ht. to suit feed cart.
- 20 2 x 6 guard planking, 3 @ 16" o.c.
- 21 marine pulley, 1/8" marine cable to boat winch
- 22 2 x 2 strapping & siding
- 23 2 x 10 head & jamb
- 24 metal drip flashing @ door head
- 25 overhead door & hardware
- 26 5" concrete floor on compacted gravel fill
- 27 3' x 4" deep coarse gravel splash pad
- 28 steel pipe pen partition

2
1/3 Not To Scale

3
1/3 Not To Scale

4
1/3 Not To Scale

SYM	REVISIONS	CHECKED	DATE	APPROVED

CANADA
PLAN SERVICE

WALL SECTIONS

DESIGNED <i>JAM</i>	DATE 88-08	PLAN									
DRAWN <i>R. PELLA</i>	REVISED	2403									
TRACED	<table style="font-size: small;"> <tr> <td style="border: 1px solid black; border-radius: 50%; padding: 2px;">A</td> <td>DETAIL NUMBER</td> <td style="border: 1px solid black; border-radius: 50%; padding: 2px;">A</td> </tr> <tr> <td style="border: 1px solid black; border-radius: 50%; padding: 2px;">B</td> <td>ORIGINATES ON SHEET</td> <td style="border: 1px solid black; border-radius: 50%; padding: 2px;">B</td> </tr> <tr> <td style="border: 1px solid black; border-radius: 50%; padding: 2px;">C</td> <td>DRAWN ON SHEET</td> <td style="border: 1px solid black; border-radius: 50%; padding: 2px;">C</td> </tr> </table>	A	DETAIL NUMBER	A	B	ORIGINATES ON SHEET	B	C	DRAWN ON SHEET	C	SHEET 3 OF 3
A	DETAIL NUMBER	A									
B	ORIGINATES ON SHEET	B									
C	DRAWN ON SHEET	C									
CHECKED <i>H.A.J.</i>											