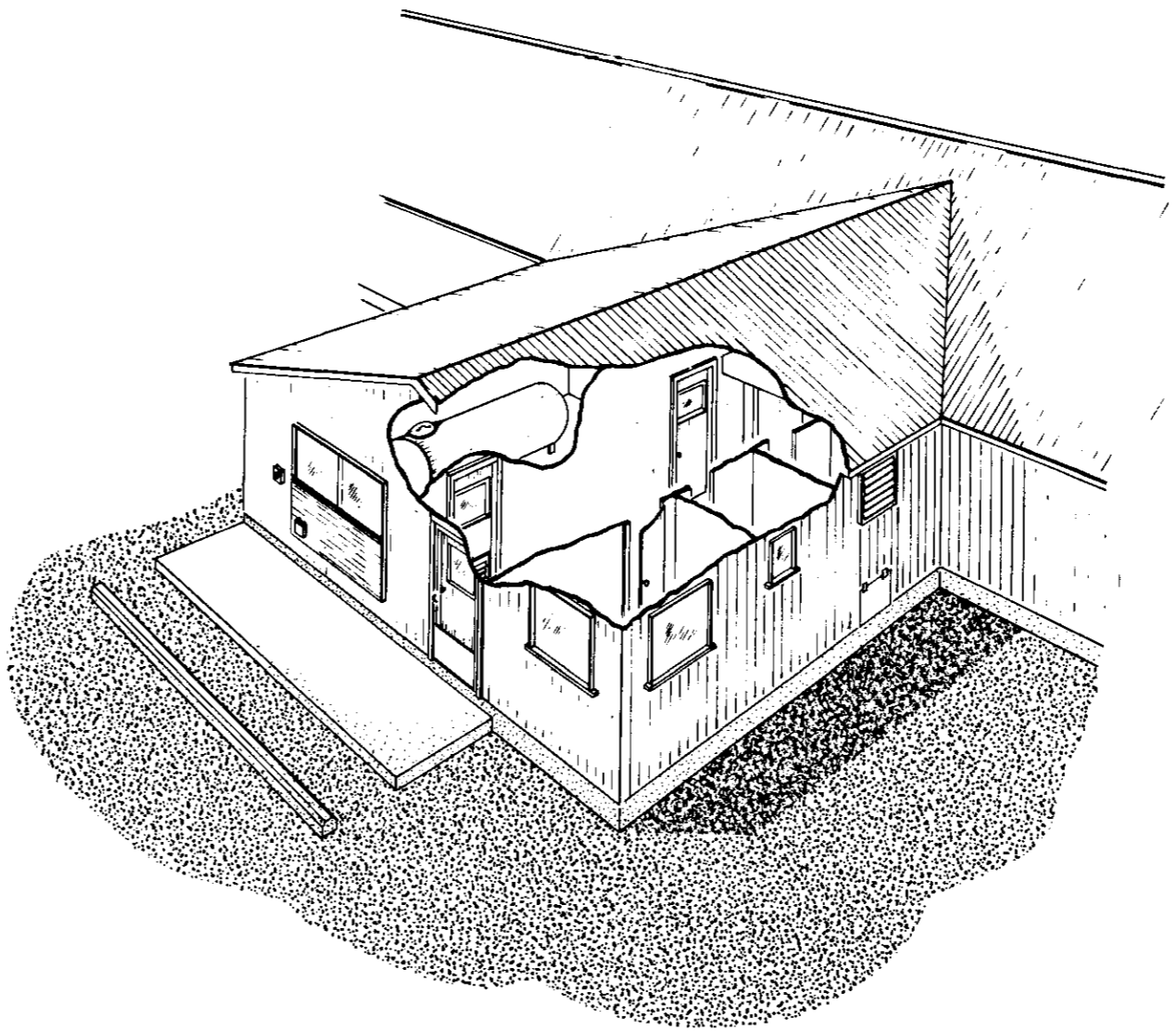


ALL DIMENSIONS ARE IN MILLIMETRES (mm) UNLESS OTHERWISE SPECIFIED



- 1 office
- 2 washroom with shower, toilet and sink
- 3 equipment room
- 4 hoseport, at least 150 mm above floor
- 5 125 mm thick concrete sidewalk on compacted granular fill
- 6 bulk milk tank with attached cooling unit; if cooling unit is separate, locate in ③ and add ventilation, see sheet 2
- 7 existing barn wall, seal to exclude barn odors
- 8 storage cupboards
- 9 slope floor 1:50 min.
- 10 location of milk receiving and pipeline washing equipment

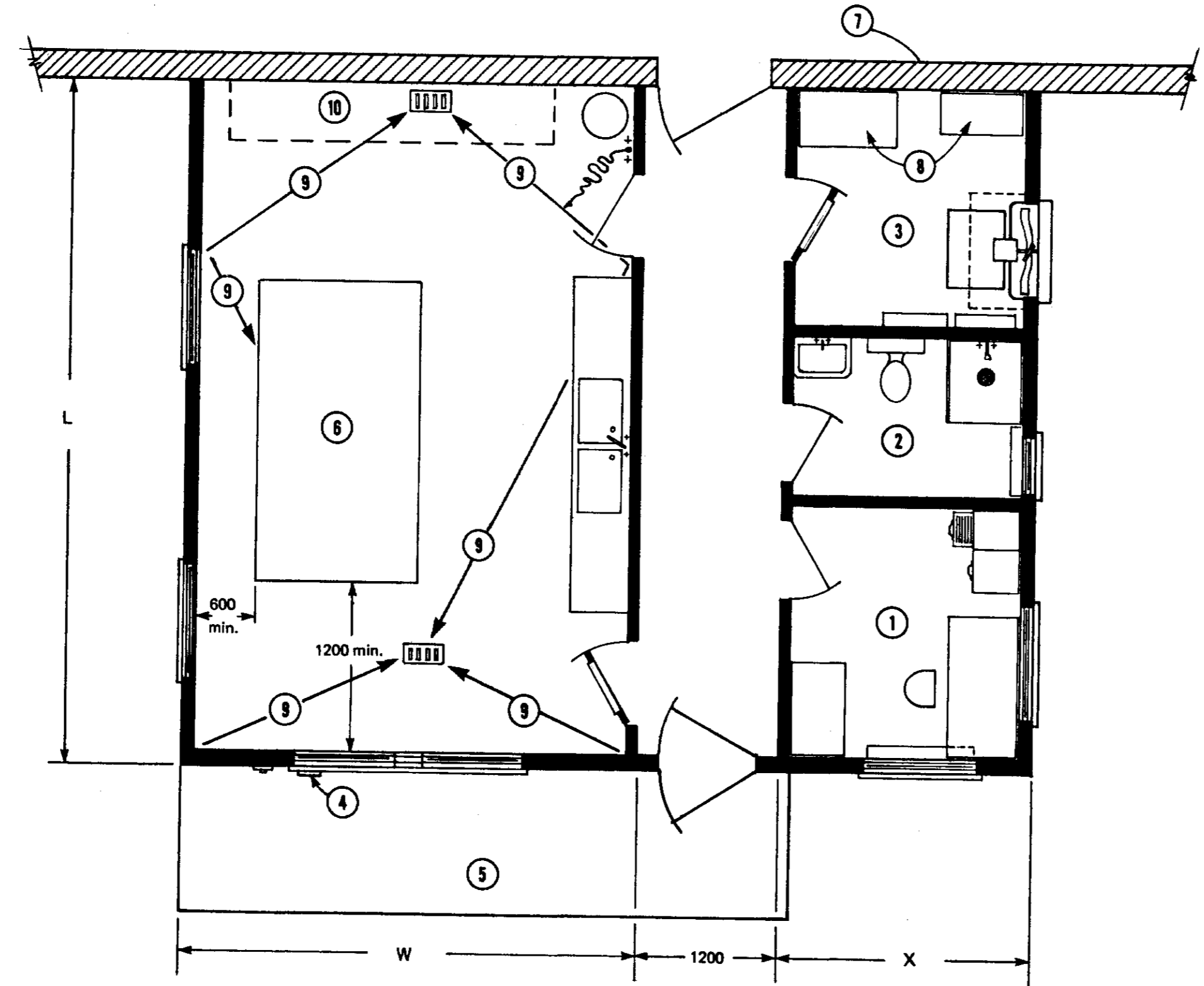
ONE SET OF DRAWINGS AND LEAFLETS SHOULD INCLUDE

CPS no.	sheet no.	title
M-2513	1	milkhouse, washroom, and equipment room plan and details
M-2513 and M-9102 optional	2	truss erection and bracing roof truss plan to suit span and snow load

MILKHOUSE SIZING

No. of cows	40-60	60-80	80-100
W	4800	4800	5400
X	2400	3000	3600
hallway	1200	1200	1200
<b>TOTAL WIDTH</b>	<b>8400</b>	<b>9000</b>	<b>10200</b>
L	6600	7200	7800

**WARNING**  
 This plan may require structural and other changes to meet local site conditions, climatic loads, user requirements and applicable building regulations (such as the Canadian Farm Building Code). Before construction, the user of this plan is responsible to ensure that all required changes are made.

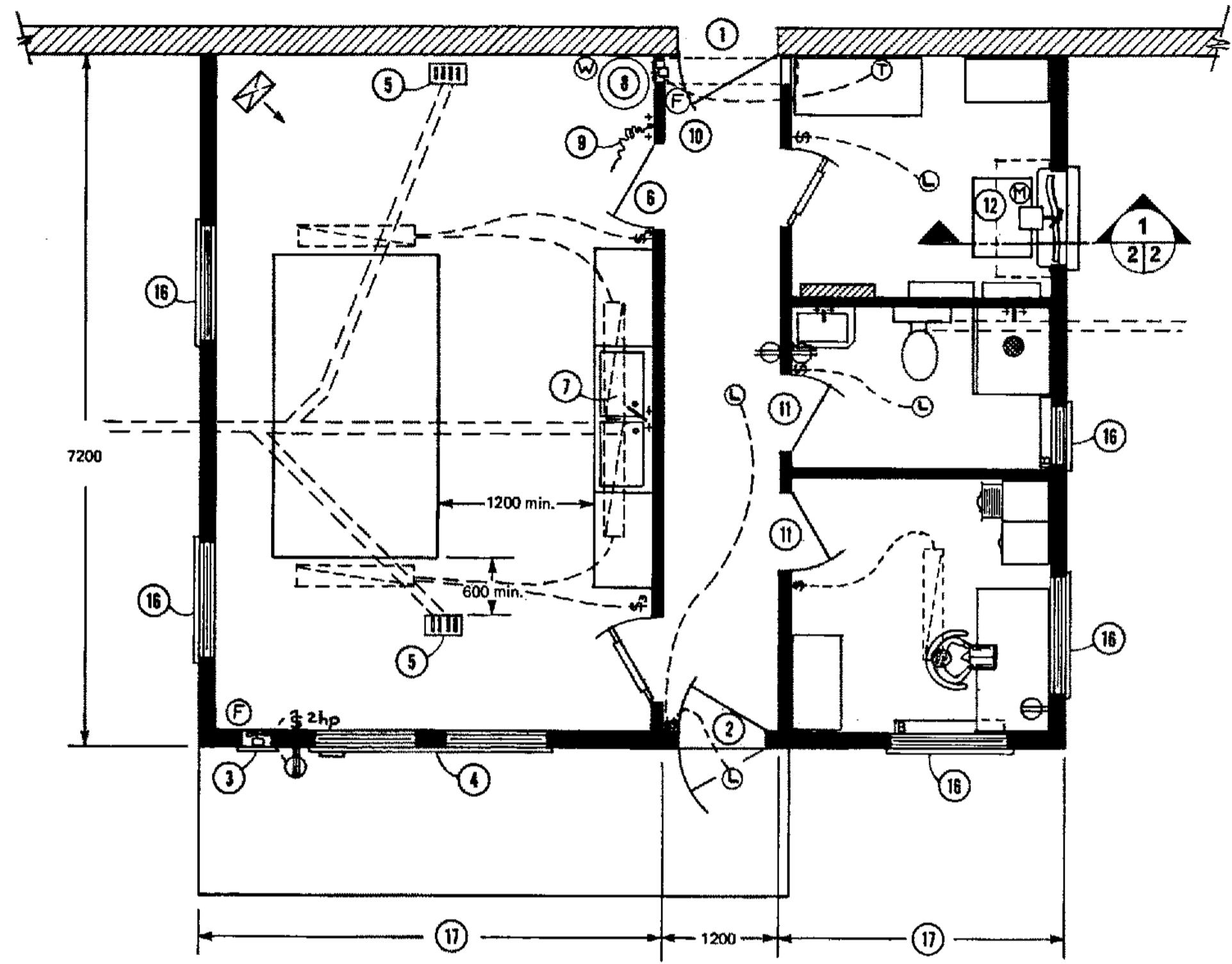


SYM	REVISIONS	CHECKED	DATE	APPROVED

**CANADA PLAN SERVICE**  
 MILKHOUSE, OFFICE, WASHROOM AND EQUIPMENT ROOM

DESIGNED J.P.M.	DATE 79-02	PLAN
DRAWN H.P. Morden	REVISED 83-10	
TRACED	ORIGINATES ON SHEET. A	M 2513
CHECKED J.E.T.	DRAWN ON SHEET. B	
		SHEET 1 OF

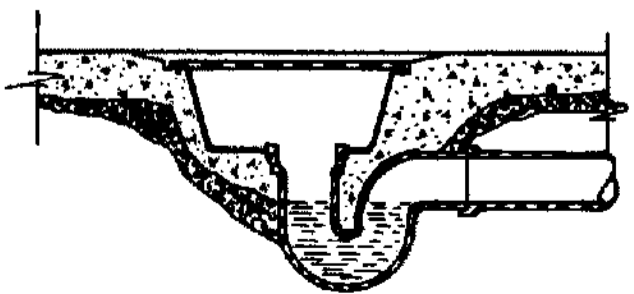
ALL DIMENSIONS ARE IN MILLIMETRES (mm) UNLESS OTHERWISE SPECIFIED



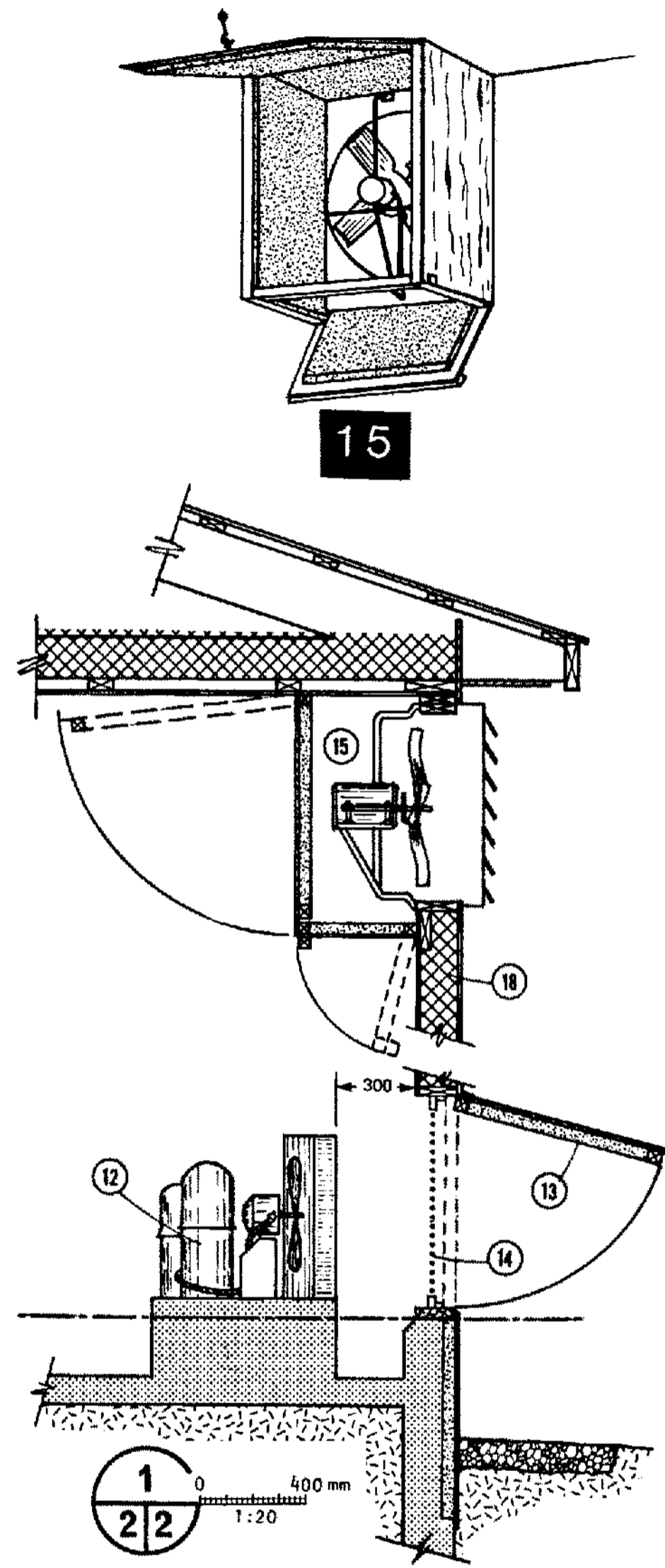
0 1 000 mm  
1:50

**ELECTRICAL**

- |         |      |                                     |
|---------|------|-------------------------------------|
| ceiling | wall |                                     |
| (L)     | (L)  | Incandescent Lampholder             |
| (F)     | (F)  | Flourescent Fixture (draw to scale) |
| (C)     | (C)  | Duplex Convenience Outlet           |
| (S)     | (S)  | Special Purpose Outlet              |
| (F)     | (F)  | Fan Outlet                          |
| (M)     |      | Motor                               |
| (T)     |      | Thermostat                          |
| (S)     |      | Water Heater (draw to scale)        |
| (S)     |      | Single Pole Switch                  |
| (S)     |      | Three Way Switch                    |
| (F)     |      | Fan Forced Heater (draw to scale)   |
| (B)     |      | Baseboard Unit Heater               |
| (D)     |      | Distribution Panel                  |
| (S)     |      | 2hp Rated Manual Switch             |



5



1 910 x 2030 mm self-closing door to barn or milking parlor; barn to have exhaust fan ventilation to keep odors out of milkroom; check with provincial milk authority for special entrance requirements

2 910 mm insulated door with double-glazed window panel, screen door for summer

3 optional air intake fan approx. 250 L/s capacity, manual switch, outside weather-hood

4 double-glazed picture window and insulated wall panel below; inside and outside window casings screwed in place for easy removal when changing bulk tank

5 100 mm floor drain with 6 mm steel cover plate, 18 mm holes for drainage. Form sump in concrete with plastic dishpan, cut hole for P-trap. Use temporary 12 mm plywood cover to form rabbet in concrete.

6 910 x 2050 mm self-closing doors

7 double sink with drain, gas trap and vent stack

8 water heater

9 6 m hose connected to hot and cold mixing faucet for washing of tank and floors, wall bracket to hold hose when not in use

10 optional 300 mm 2-speed fan and overhead duct to transfer heat from 12 to milkroom, control with high/low speed selector switch with off neutral, wired in series with thermostat

11 810 mm doors

12 cooling compressor on concrete platform

13 rectangular wall opening is 150 mm greater than face dimension of condensor coil unit, hinged door with 50 mm insulation, secured open in summer, closed in winter

14 removable insect screen, clean frequently in summer

15 backdraft louvers, inside weather hood and exhaust fan to exceed fan capacity of compressor unit (12); control fan with 3-position switch indicating "on automatic" (with milk cooler), or "off," or "on manual", weather hood closed for winter, open for summer

16 window screened and double-glazed, open for summer ventilation

17 dimension varies, see table sheet 1

18 insulated exterior wall

SYM	REVISIONS	CHECKED	DATE	APPROVED

**CANADA PLAN SERVICE**

PLAN AND DETAILS

DESIGNED J.A.M.	DATE 79-02	PLAN M-2513
DRAWN R.L. Horden	REVISED 83-10	
TRACED	DETAIL NUMBER A	SHEET 2 OF 2
CHECKED J.E.T.	ORIGINATES ON SHEET B DRAWN ON SHEET C	