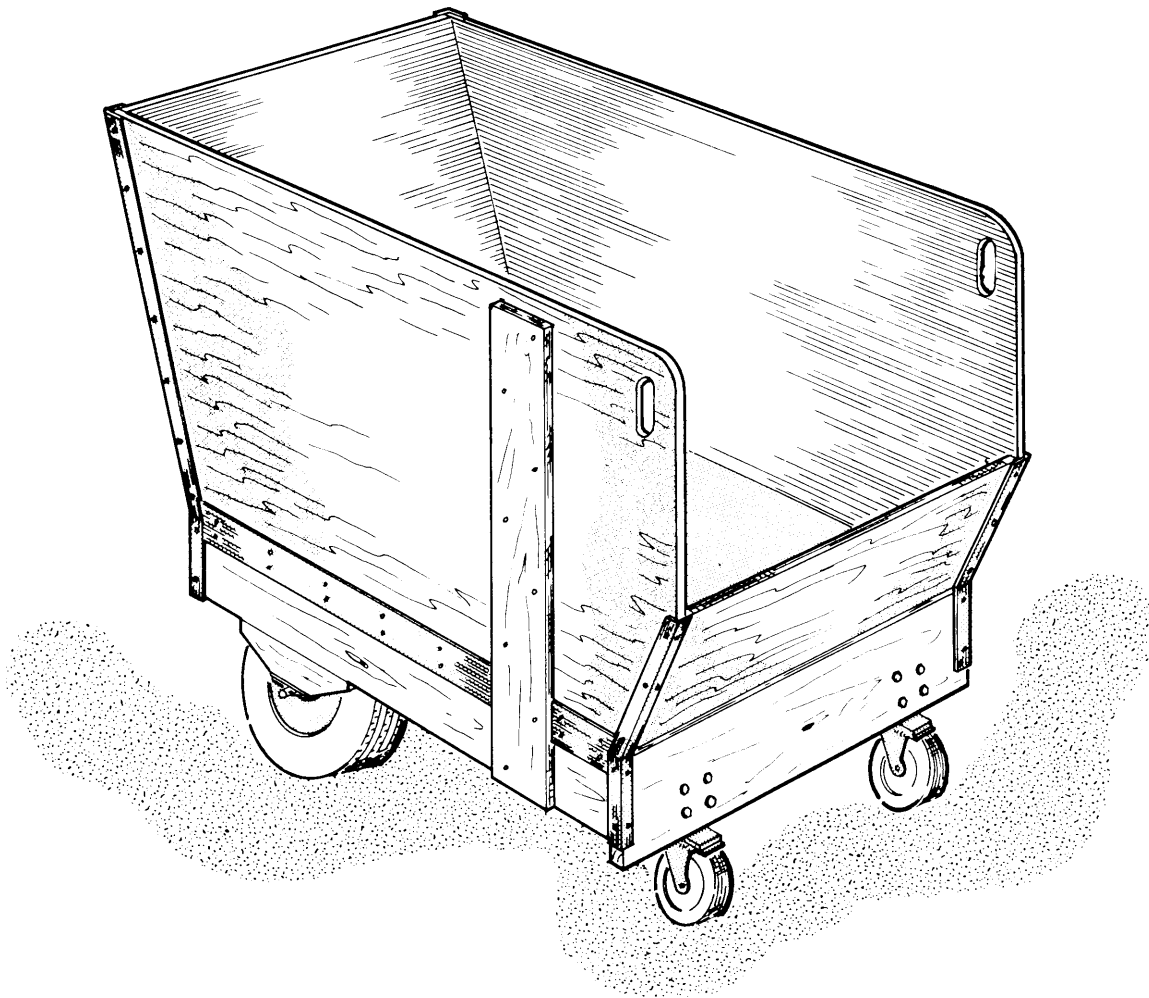


## FEED CART



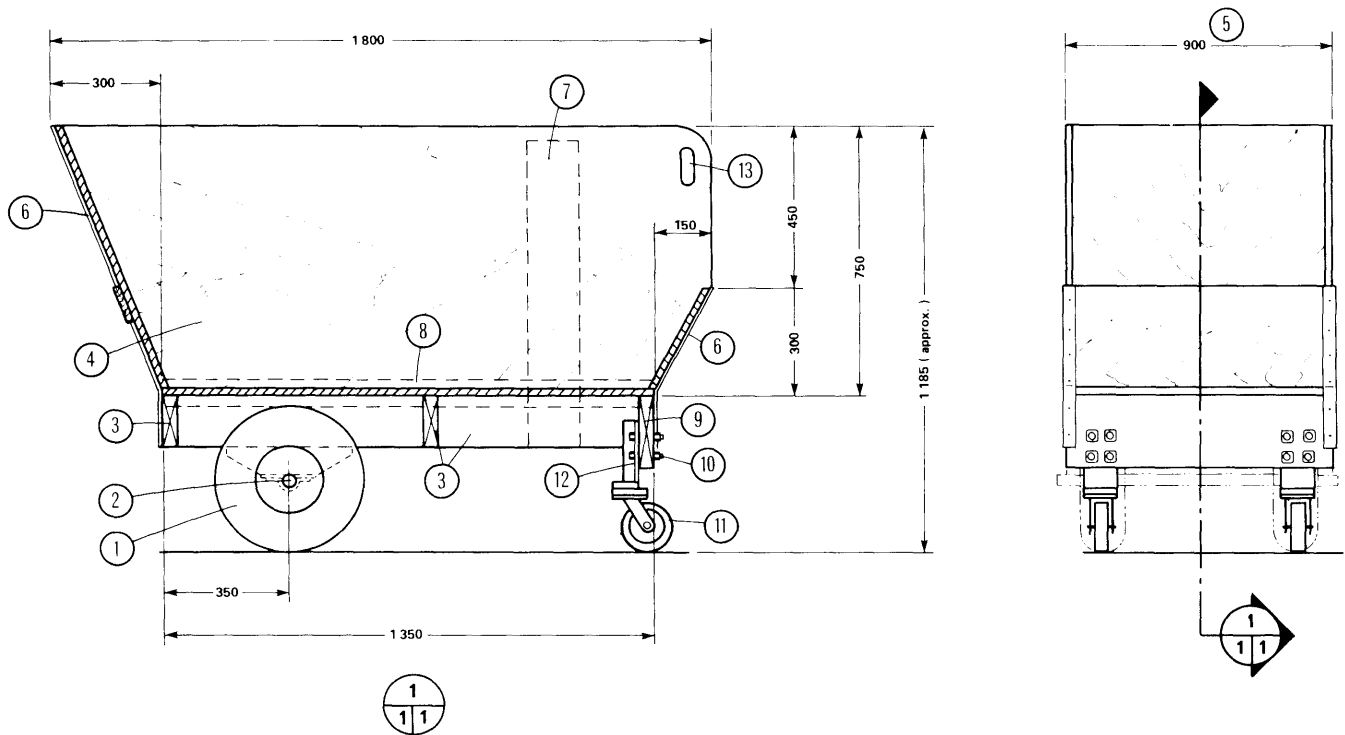
The Canada Plan Service prepares detailed plans showing how to construct modern farm buildings, livestock housing systems, storages and equipment for Canadian Agriculture. This leaflet gives the details for a farm building component or piece of farmstead equipment. To obtain another copy of this leaflet, contact your local provincial agricultural engineer or extension advisor.

## FEED CART

PLAN M2623 NEW: 80.09

This versatile feed cart will handle silage, chopped hay or concentrates in many livestock feeding situations. Box dimensions are 900 x 1800 x 750 mm, giving a capacity of about 1.0 m<sup>3</sup>

The box is made from three sheets of 16 mm plywood reinforced with steel angle at the corners. Two wheels with rubber tires carry the major portion of the weight for easy travel and two rear caster wheels allow the cart to be turned in close quarters.



- |   |  |    |   |
|---|--|----|---|
| 1 | wheelbarrow wheels with 4.80 x 8" rubber tires   | 8  | 75 x 1350 x 2.0 mm galvanized steel gusset      |
| 2 | 19 mm dia x 950 mm cold-rolled steel axle drill horizontally for 2 cotter pins, suit locations | 9  | 38 x 184 x 900 mm frame                         |
| 3 | 38 x 140 platform frame  | 10 | 8-M10 x 70 mm nuts and bolts                    |
| 4 | 16 mm plywood box  | 11 | swivel casters 150 mm dia. solid rubber wheels  |
| 5 | if hallway widths permit, could be increased to 1200 mm  | 12 | suitable caster mounting bracket, bolt to frame |
| 6 | 38 x 38 x 2.0 mm steel angle 4 corners   | 13 | hand slot 50 x 125 mm                           |
| 7 | 150 x 850 mm braces, notch for 8   |    |   |