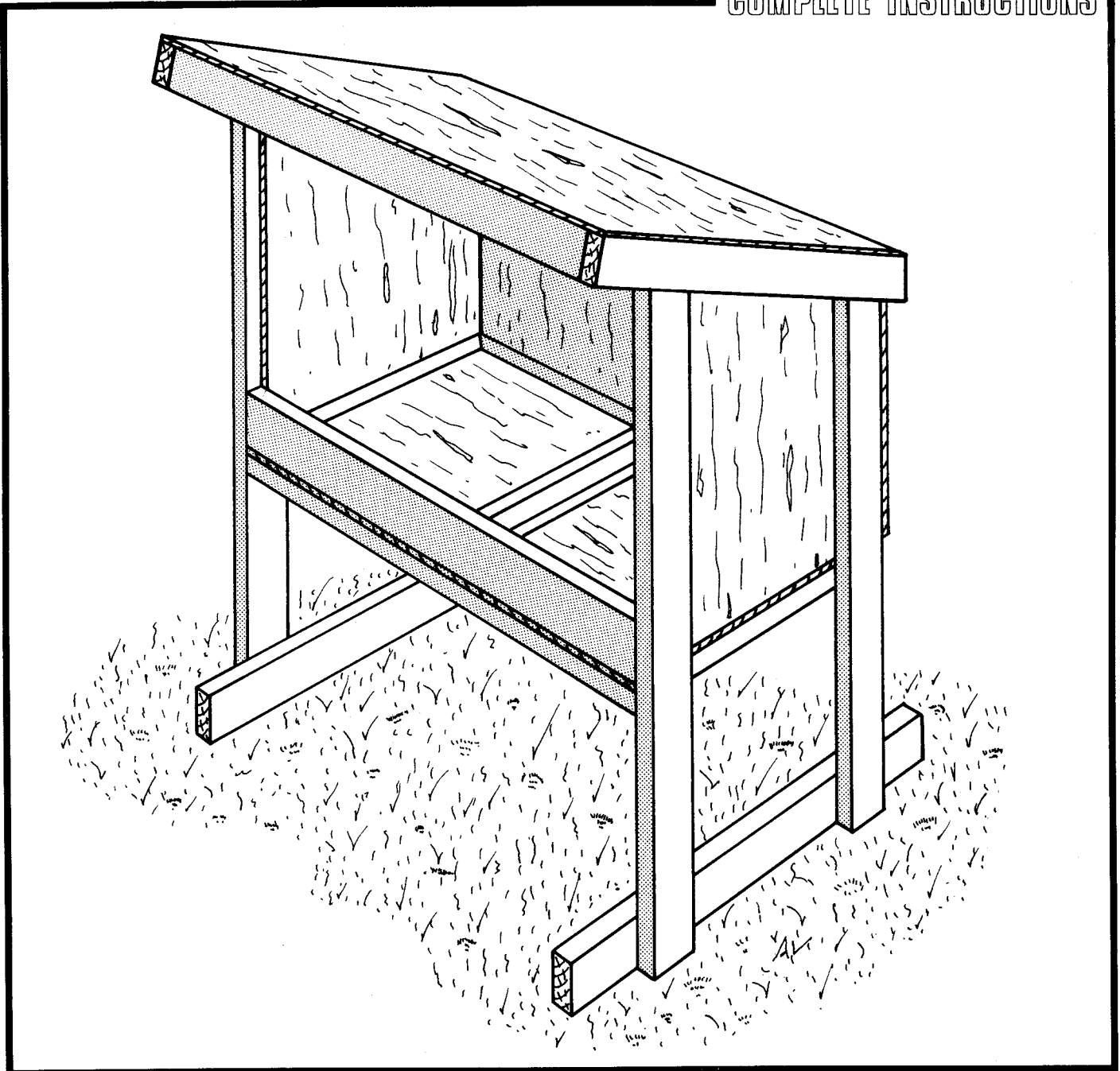


# MINERAL FEEDING BOX

COMPLETE INSTRUCTIONS



The Canada Plan Service prepares detailed plans showing how to construct modern farm buildings, livestock housing systems, storages and equipment for Canadian Agriculture.

This leaflet gives the details for a farm building component or piece of farmstead equipment. To obtain another copy of this leaflet, contact your local provincial agricultural engineer or extension advisor.

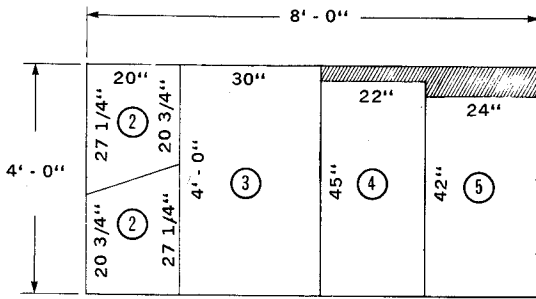
# MINERAL FEEDING BOX

PLAN 2663 NEW 85:03

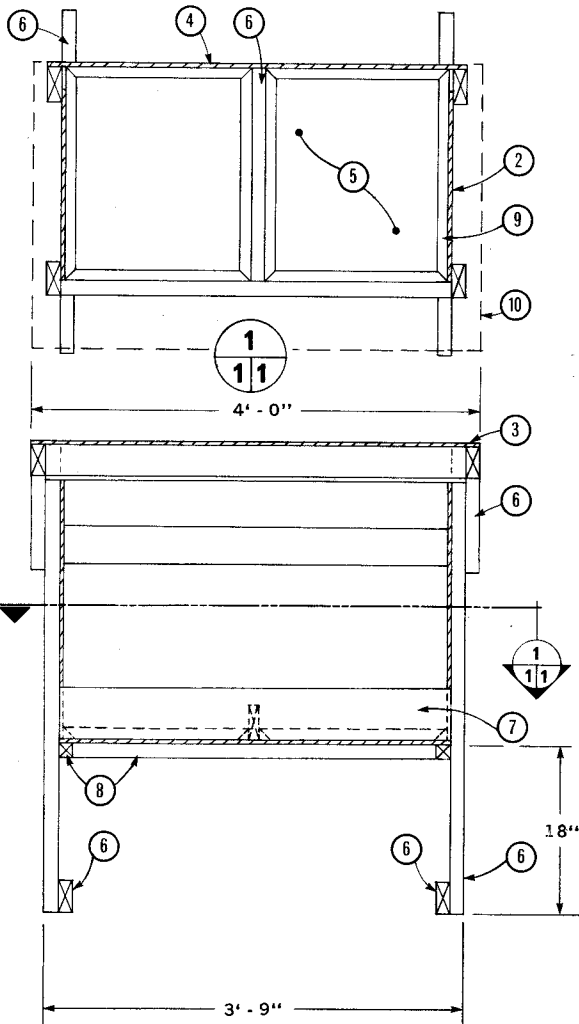
This is an easy-to-build mineral or salt box for feed lot or pasture. The box is roofed to keep the minerals dry; face the opening downwind for additional rain protection.

A cutting diagram shows how to cut all the panels from one 4 ft x 8 ft sheet of exterior plywood. Covered inside corners reinforce the joints and help cattle to lick the box clean.

To prevent overturning, anchor the base skids to 4 stakes driven into the ground, or extend the legs into post holes in the ground and back-fill with tamped earth.



1



- 1 cutting detail, 5/8" exterior sheathing plywood or Aspenite
- 2 side panels
- 3 roof panel
- 4 back panel
- 5 bottom panel
- 6 2" x 4" skids, posts, divider and roof frame
- 7 2" x 6" front
- 8 2" x 2" blocking
- 9 45° cove out of 2" x 2"
- 10 roof line

