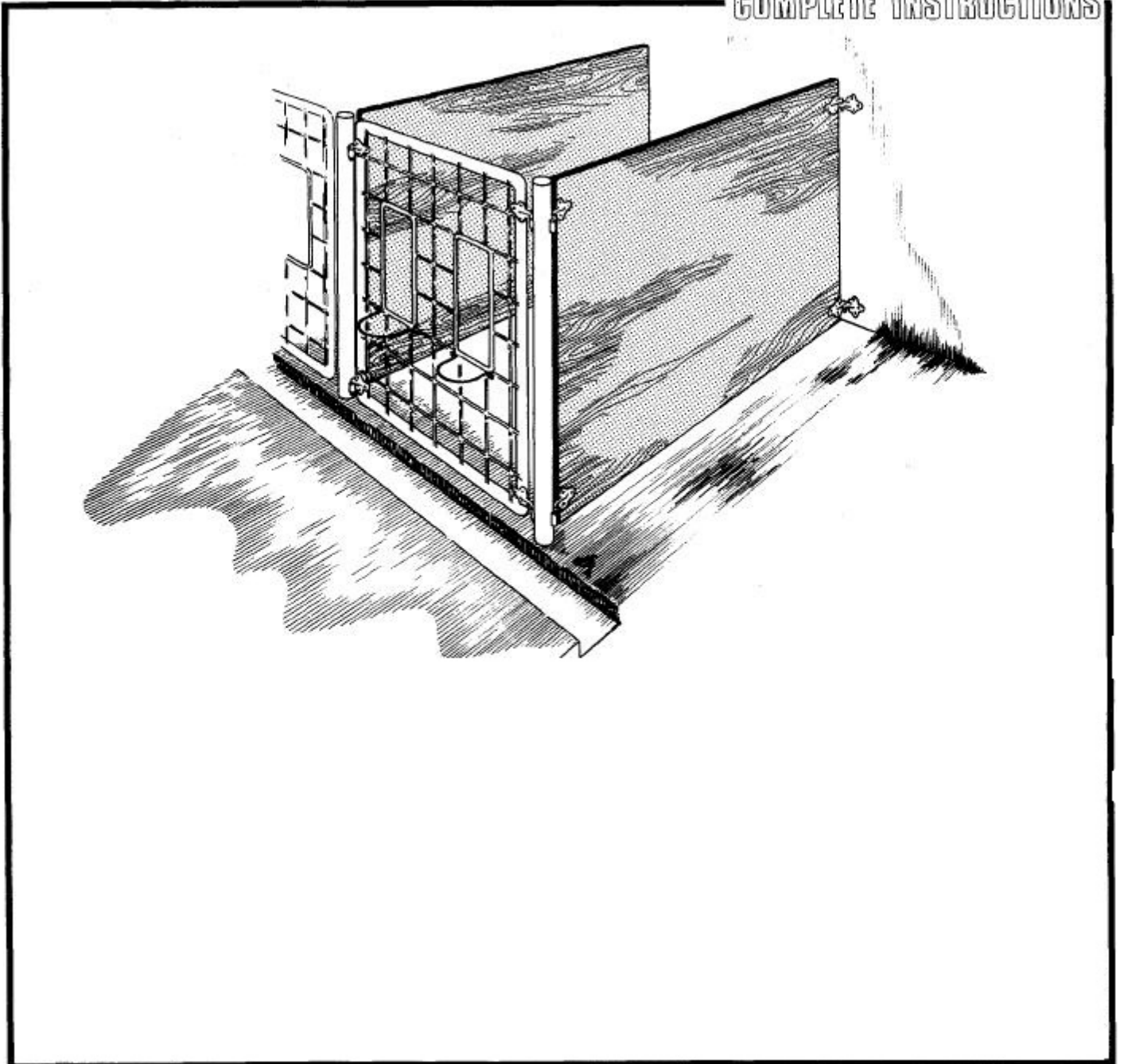


## INDIVIDUAL CALF PEN

COMPLETE INSTRUCTIONS

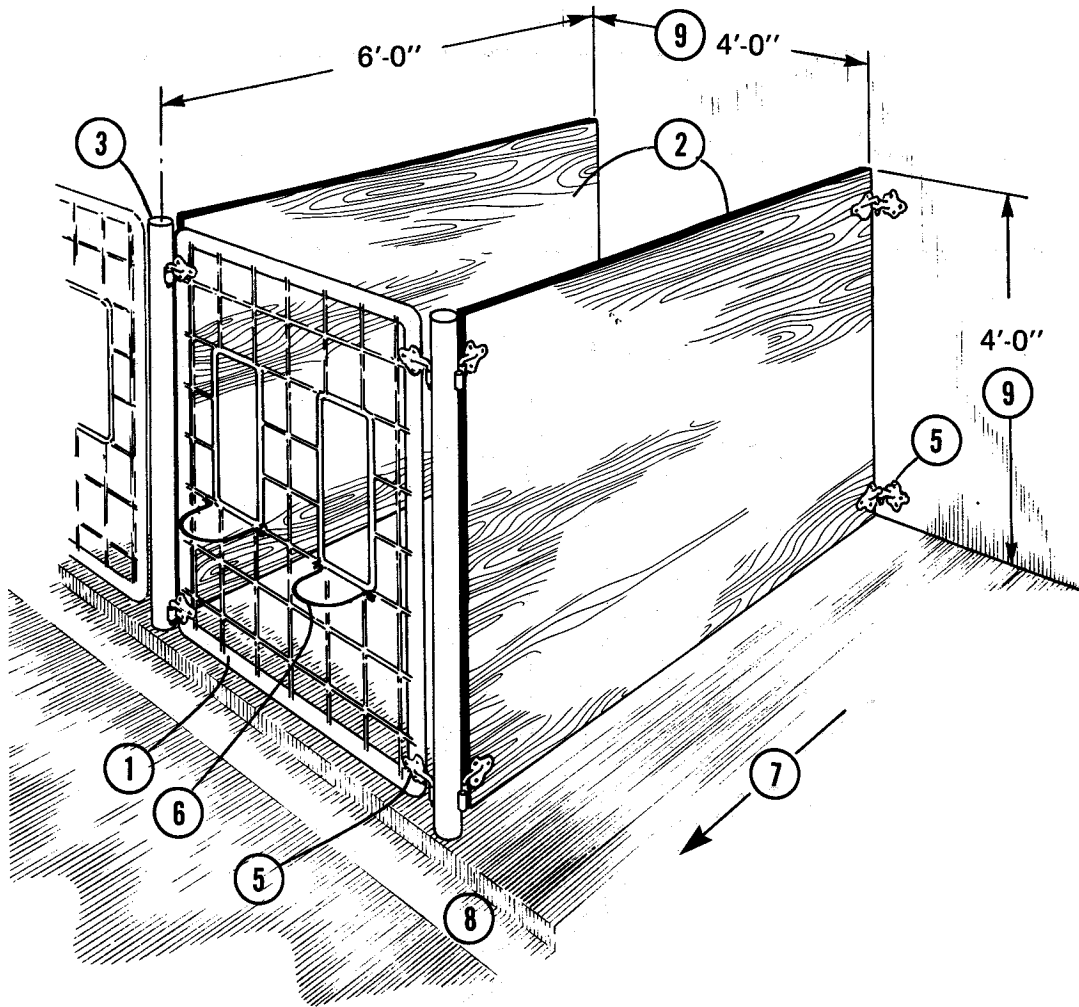


The Canada Plan Service prepares detailed plans showing how to construct modern farm buildings, livestock housing systems, storages and equipment for Canadian Agriculture.

This leaflet gives the details for a farm building component or piece of farmstead equipment. To obtain another copy of this leaflet, contact your local provincial agricultural engineer or extension advisor.

# INDIVIDUAL CALF PEN

PLAN 2834



- 1 front gate, welded wire mesh in pipe frame, or 1" x 4" wood slats
- 2 solid partitions, 5/8" plywood sheathing
- 3 2" galv. pipe posts, embed 8" in concrete floor
- 4 1/2" x 4" long galv. pipe, welded to 3
- 5 truck rack hinges or bent steel rod to suit 4
- 6 hoops to hold feed and/or water pails
- 7 slope floor 2" to gutter
- 8 5" x 2" gutter
- 9 dimension varies, max. shown

