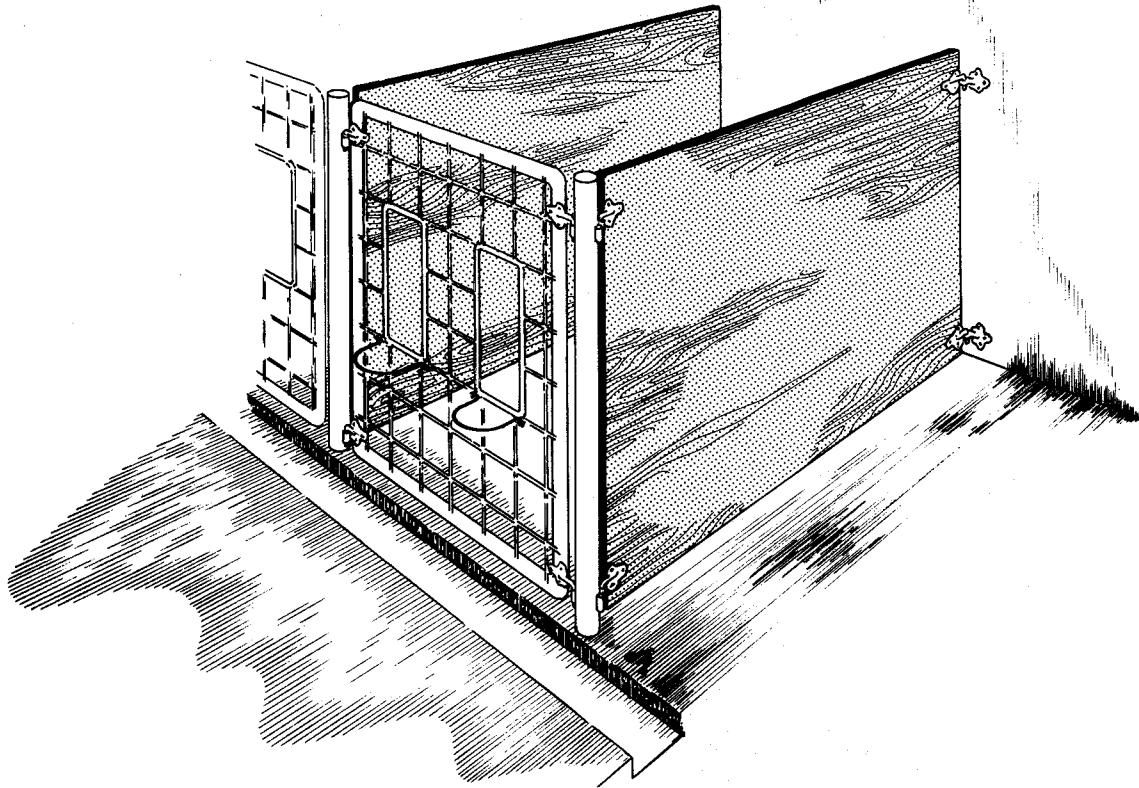




## INDIVIDUAL CALF PEN

COMPLETE INSTRUCTIONS



NEW 84:07

This leaflet gives construction details for individual bedded pens suitable for calves up to 3 months of age. Pens like these require more bedding and floor space, and are more expensive than the individual tie-stalls. However, they do allow the calf more freedom.

**PEN PARTITIONS** Partitions of solid material such as plywood are used on the sides to minimize contact between calves; however, front gates are not solid but are made from materials such as welded wire mesh or 19 x 89 mm boards to provide better ventilation. If mesh is used, frame it with light pipe or tubing to reinforce it and eliminate sharp edges. If pens back onto each other, the back panel should be solid like the sides.

Pen partitions are removable so that double size pens can be made easily. By bringing two or more calves together after weaning, the calves become accustomed to group conditions. Removable partitions also help when cleaning and disinfecting.

**PEN SIZE** Pen dimensions vary from 900 x 1500 mm to 1200 x 2400 mm on different farms; the more popular 1200 x 1800 mm size is shown in this leaflet.

**FLOORS** Pen floors are usually concrete, sloped to the alleyway where a small 125 x 50 mm gutter collects washwater used when disinfecting. If enough bedding is used, there should be very little seepage from the pen to the gutter.

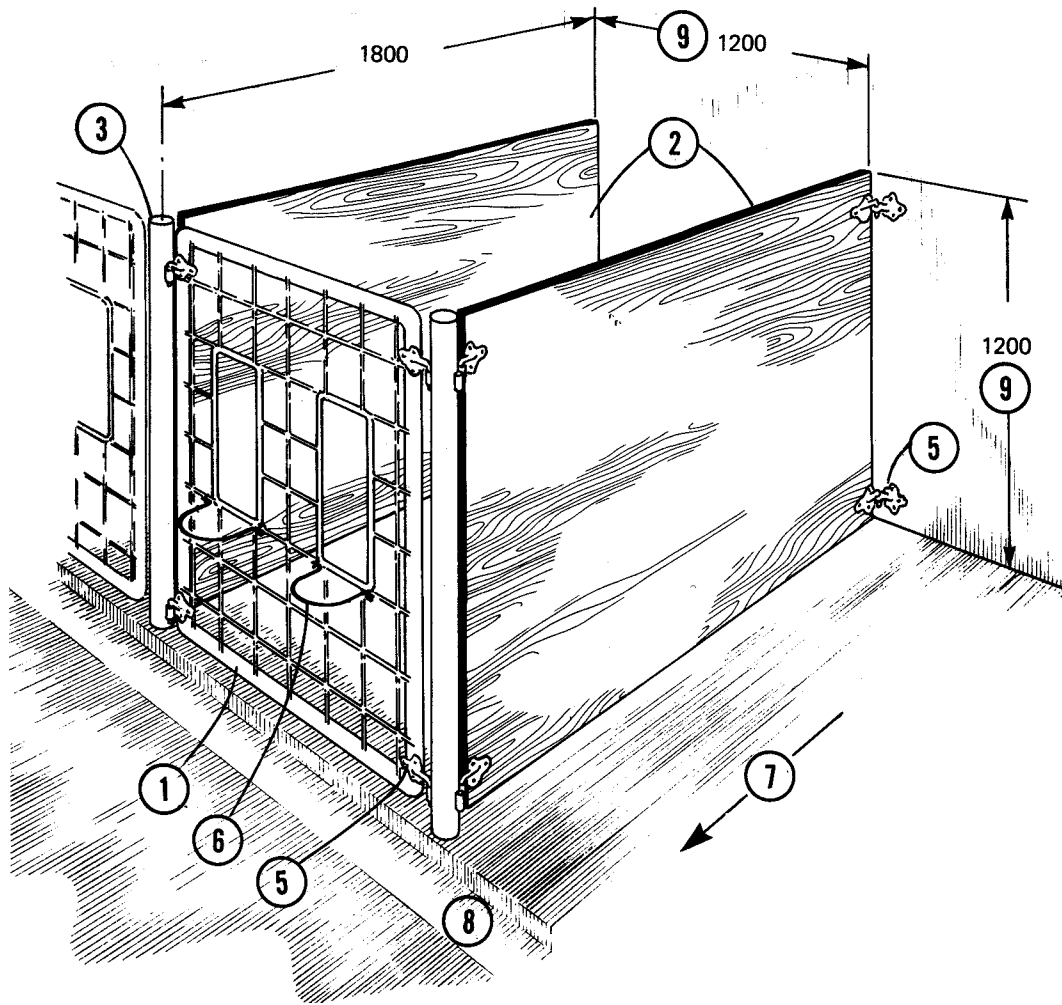


The Canada Plan Service prepares detailed plans showing how to construct modern farm buildings, livestock housing systems, storages and equipment for Canadian Agriculture.

This leaflet gives the details for a farm building component or piece of farmstead equipment. To obtain another copy of this leaflet, contact your local provincial agricultural engineer or extension advisor.

# INDIVIDUAL CALF PEN

PLAN N-2834



- 1 front gate, welded wire mesh in pipe frame, or 19 x 89 mm wood slats
- 2 solid partitions, 15.5 mm plywood sheathing
- 3 2" galv. pipe posts, embed 200 mm in concrete floor
- 4 1/2" x 100 mm long galv. pipe, welded to 3
- 5 txuok rack hinges or bent steel rod to suit 4
- 6 hoops to hold feed and/or water pails
- 7 slope floor 50 mm to gutter
- 8 125 x 50 mm gutter
- 9 dimension varies, max. shown

