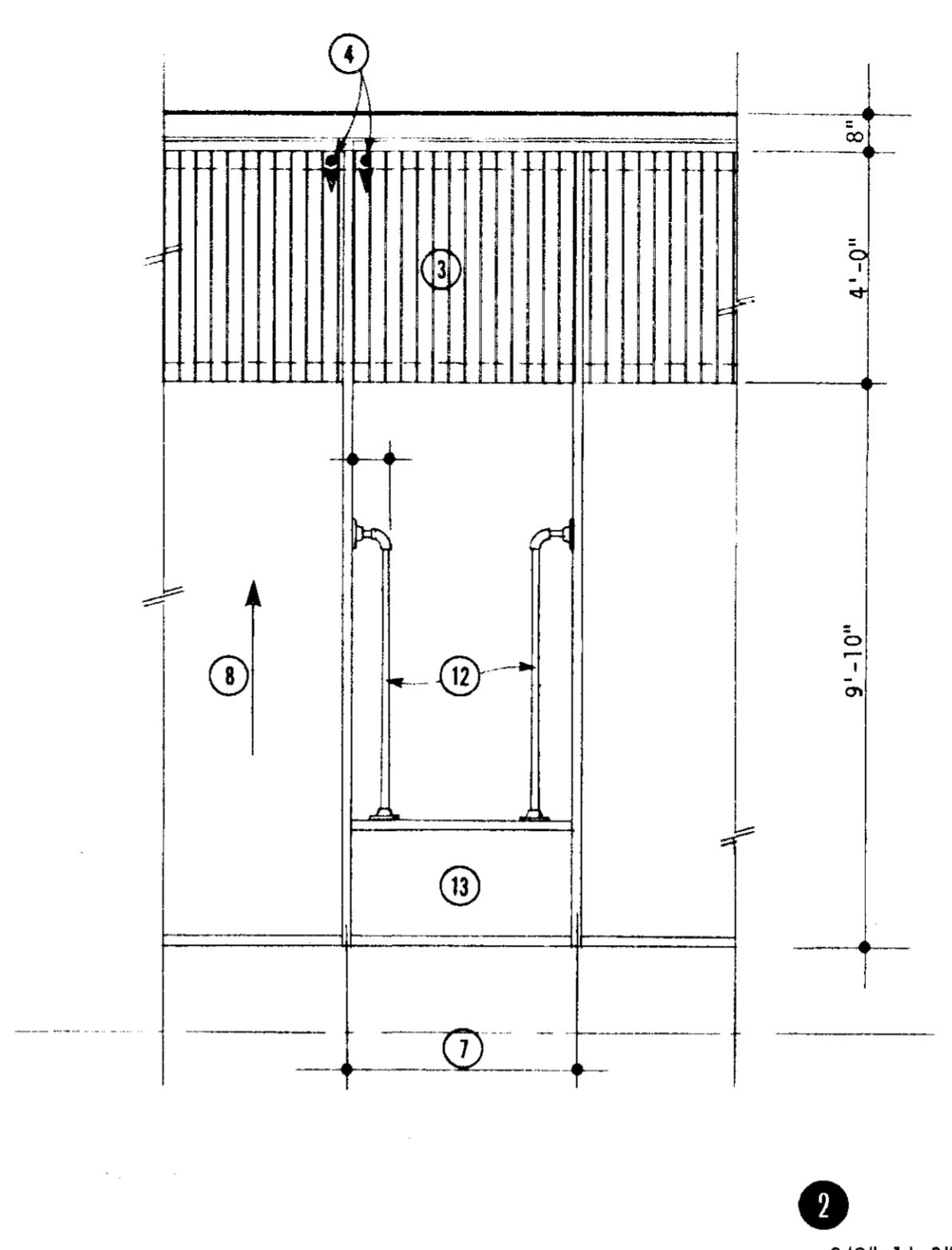


1
3/16"=1'-0"

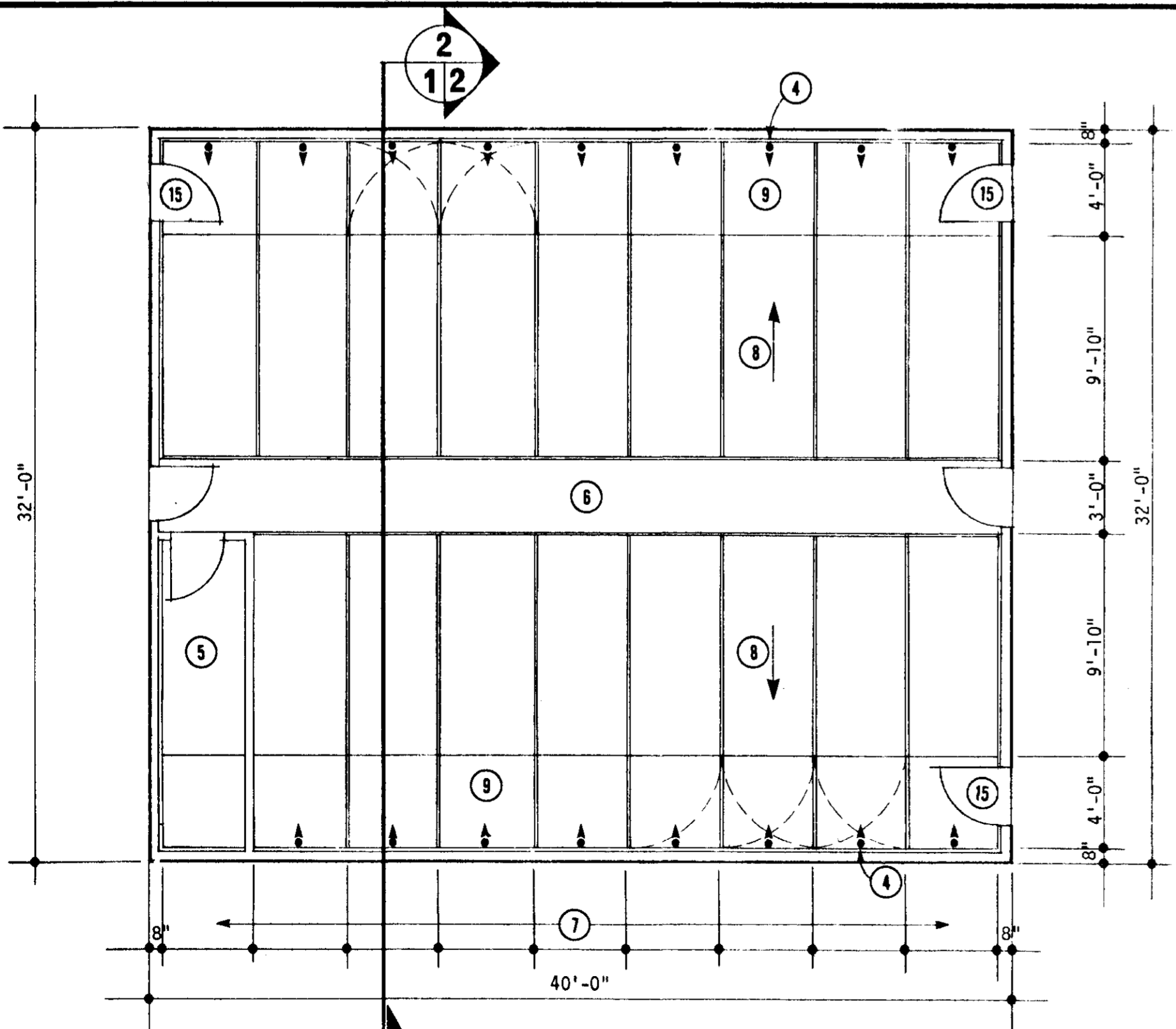


2
3/8"=1'-0"

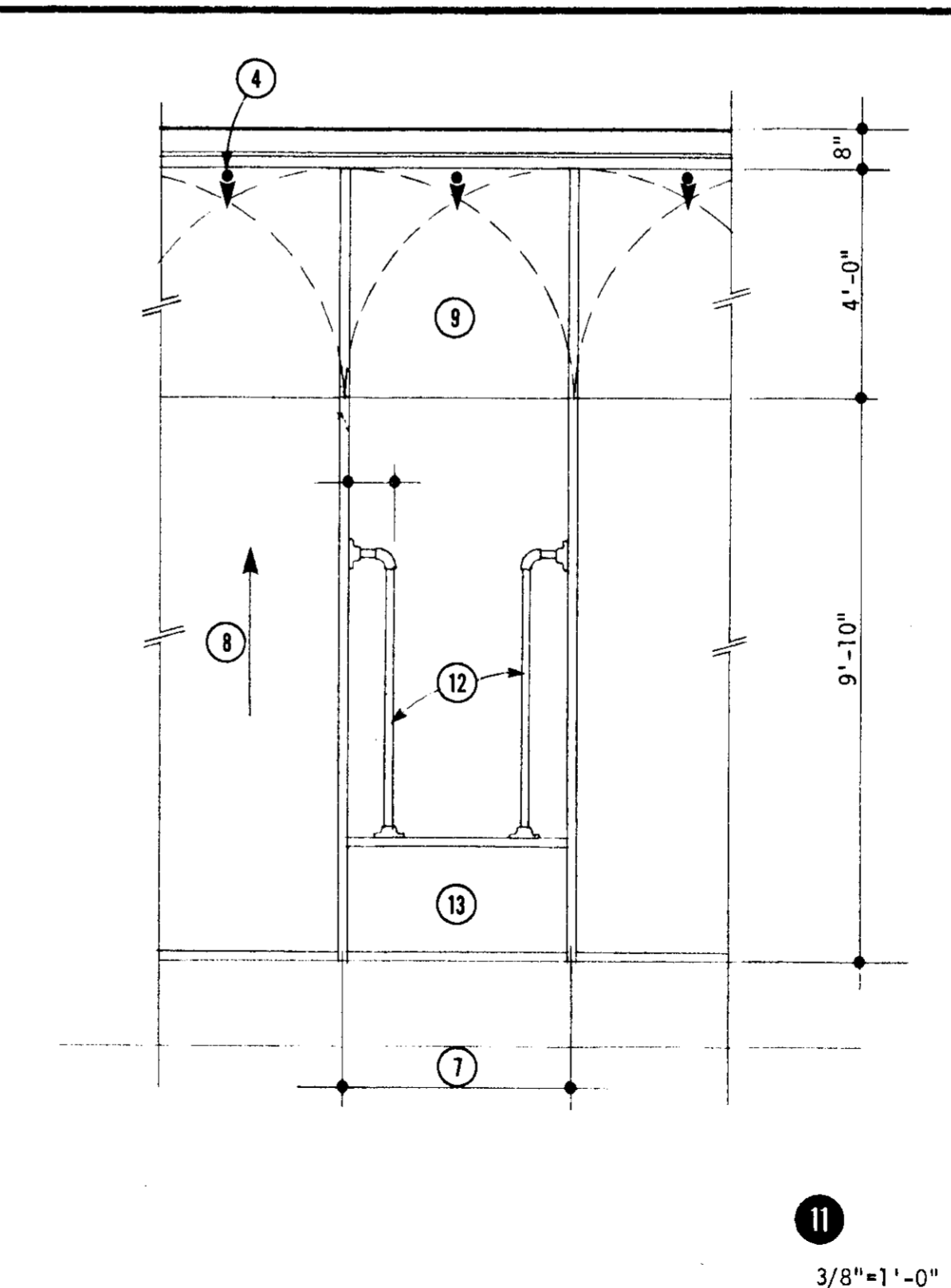
1. Floor plan, slotted floor barn
2. Farrowing pen, slotted floor barn
3. Slotted floor section-4' conc seats, 1" space between
4. Waterers
5. Service Area
6. Central service alley
7. Divide barn length into equal pen sizes (4'-0"+)
8. Slope in floor 1/2"/1'-0"
9. Manure alley - scrape out system
10. Floor plan - scrape out system
11. Farrowing pen - scrape out system
12. Guard rails 8" from pen divider, 10" above floor level
13. Creep area.
14. Pumpout ports - not more than 24' apart
- 6" - 8" (must exceed dia of vacuum pipe)
15. 3' x 7' doors for manure disposal

Barn Length	No. of Pens	NUMBER OF SOWS				BARN CAPACITY	
		F-F ¹	F-F ²	F-W ³	F-W ⁴	Weaner ⁵	Feeder ⁶
		28'	11	7	9-11	13-14	24-26
32'	13	9	11-13	15-17	28-30	208	130
36'	15	10	13-15	17-19	32-35	240	150
40'	17	12	15-17	20-23	36-38	272	170
44'	19	14	17-20	23-26	40-44	304	190
48'	21	15	19-22	26-28	44-48	336	210

NOTES:
 1 - Farrow-to-finish, including dry sows and boars
 2 - Farrow-to-finish, excluding dry sows and boars
 3 - Farrow-weaning, including dry sows and boars
 4 - Farrow-weaning, excluding dry sows and boars
 5 - Weaner, from weaning to 60 lb., average 16/pen
 6 - Feeder, from 30 lb., to market; average 10/pen



10
3/16"=1'-0"



11
3/8"=1'-0"

WARNING
 This plan may require structural and other changes to meet local site conditions, climatic loads, user requirements and applicable building regulations (such as the Canadian Farm Building Code). Before construction, the user of this plan is responsible to ensure that all required changes are made.

CANADA quick release plan
 PLAN SERVICE
 DWG. NO. Q-3112 SHEET 1 OF 3

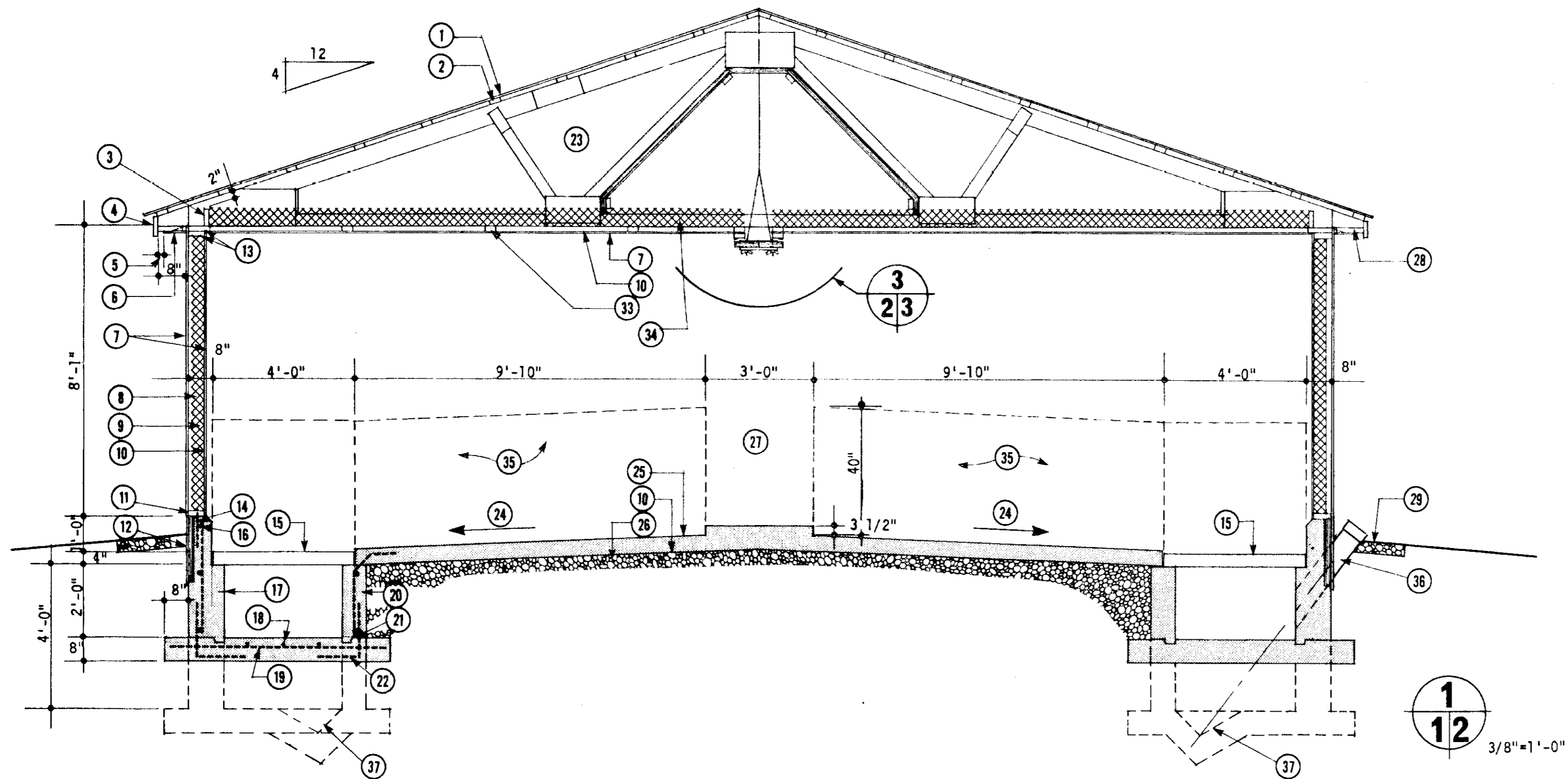
Revised & Re-issued Nov/76

SYM	REVISIONS	CHECKED	DATE	APPROVED

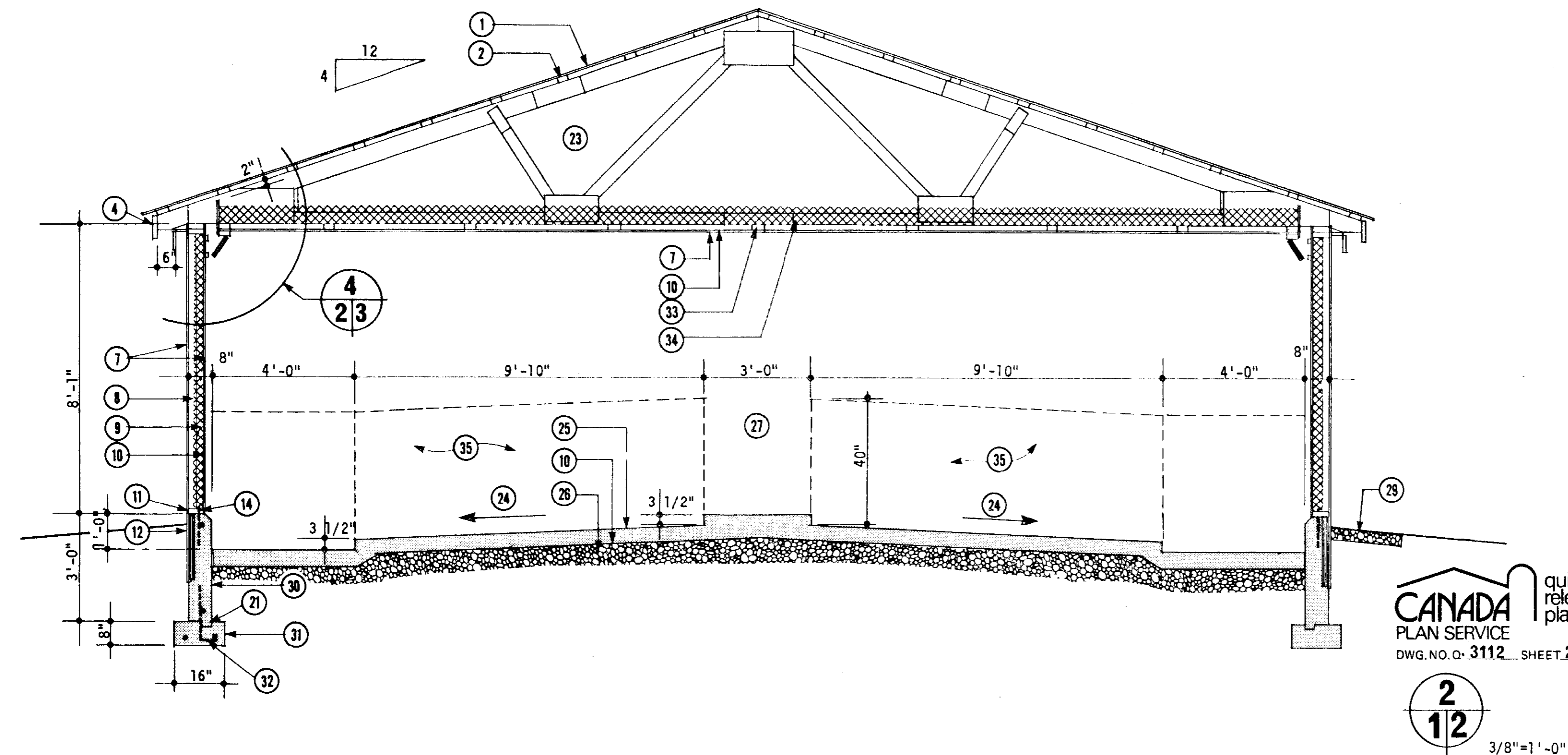
MANITOBA DEPARTMENT OF AGRICULTURE
 TECHNICAL SERVICES BRANCH
 AGRICULTURAL ENGINEERING SECTION

HOG BARN
 Farrow-to-finish pens
 (for various herd sizes)

DATE 76 06 16	DESIGNED T. OATWAY	PLAN 3112
SCALE As shown	DRAWN BK	SHEET 1 OF 3
	CHECKED	



1. Sheet metal roofing (see manufacturer's recommendations).
2. Purlins - spacing as required by sheet metal manufacturers.
3. 2" x 6" blocking between trusses.
4. Fascia board.
5. 2" screen opening. Use 1/2" hardware screen.
6. Soffit
7. 3/8" P.M.B.C. ext. gr. fir plywood sheeting.
8. 2" x 6" studs @ 2'-0" o.c.
9. R-12 insulation.
10. 4 mil polyethylene vapor barrier.
11. 2" x 6" bottom plate.
12. 2" x 22" styrene insulation covered with high density asbestos board.
13. Top plates, 1-2" x 8" and 1-2" x 6", or 2-2" x 6"
14. 3/8" dia. x 10" anchor bolts @ 3'-0" o.c.
15. 4'-0" slats with 1" space between.
16. 1#4 continuous.
17. 12" conc wall with 1-#6 top and bottom horiz. #4 @ 24" o.c. vert.
18. 3-#4 top.
19. #4 @ 18" o.c.
20. 8" conc wall with 1-#6 top and bottom horiz. #4 @ 24" o.c. vert.
21. Roughcheck with 2" x 4" keyway.
22. #4 dowels @ 24" o.c. (12" x 24").
23. Trussed roof rafter to suit local conditions.
24. Slope in floor 1/2"/1'-0".
25. 5" floor, 3000 p.s.i., air entrained concrete.
26. 6" well compacted gravel fill.
27. Central service alley.
28. Blocking.
29. Gravel splash pad.
30. 8" concrete wall with 2#4 continuous.
31. 8" x 16" concrete footing with 2#4 continuous.
32. #4 dowels @ 3'-0" o.c. (6" x 18").
33. 2" x 4" purlins @ 4'-0" o.c.
34. R-20 insulation.
35. Pen partition (pen partitions should not have solid fronts.)
36. Pumpout ports for storage pits
- 6" - 8" (must exceed diam. of vacuum pipe)
- not more than 24' apart
37. Vacuum hose sump



1. Sheet metal roofing (see manufacturer's recommendations).
2. Purlins - spacing as required by sheet metal manufacturers.
3. 2" x 6" blocking between trusses.
4. Fascia board.
5. 2" screen opening. Use 1/2" hardware screen.
6. Soffit
7. 3/8" P.M.B.C. ext. gr. fir plywood sheeting.
8. 2" x 6" studs @ 2'-0" o.c.
9. R-12 insulation.
10. 4 mil polyethylene vapor barrier.
11. 2" x 6" bottom plate.
12. 2" x 22" styrene insulation covered with high density asbestos board.
13. Top plates, 1-2" x 8" and 1-2" x 6", or 2-2" x 6"
14. 3/8" dia. x 10" anchor bolts @ 3'-0" o.c.
15. 4'-0" slats with 1" space between.
16. 1#4 continuous.
17. 12" conc wall with 1-#6 top and bottom horiz. #4 @ 24" o.c. vert.
18. 3-#4 top.
19. #4 @ 18" o.c.
20. 8" conc wall with 1-#6 top and bottom horiz. #4 @ 24" o.c. vert.
21. Roughcheck with 2" x 4" keyway.
22. #4 dowels @ 24" o.c. (12" x 24").
23. Trussed roof rafter to suit local conditions.
24. Slope in floor 1/2"/1'-0".
25. 5" floor, 3000 p.s.i., air entrained concrete.
26. 6" well compacted gravel fill.
27. Central service alley.
28. Blocking.
29. Gravel splash pad.
30. 8" concrete wall with 2#4 continuous.
31. 8" x 16" concrete footing with 2#4 continuous.
32. #4 dowels @ 3'-0" o.c. (6" x 18").
33. 2" x 4" purlins @ 4'-0" o.c.
34. R-20 insulation.
35. Pen partition (pen partitions should not have solid fronts.)
36. Pumpout ports for storage pits
- 6" - 8" (must exceed diam. of vacuum pipe)
- not more than 24' apart
37. Vacuum hose sump

quick release plan
 CANADA PLAN SERVICE
 DWG. NO. Q-3112 SHEET 2 OF 3

2
 12
 3/8"=1'-0"

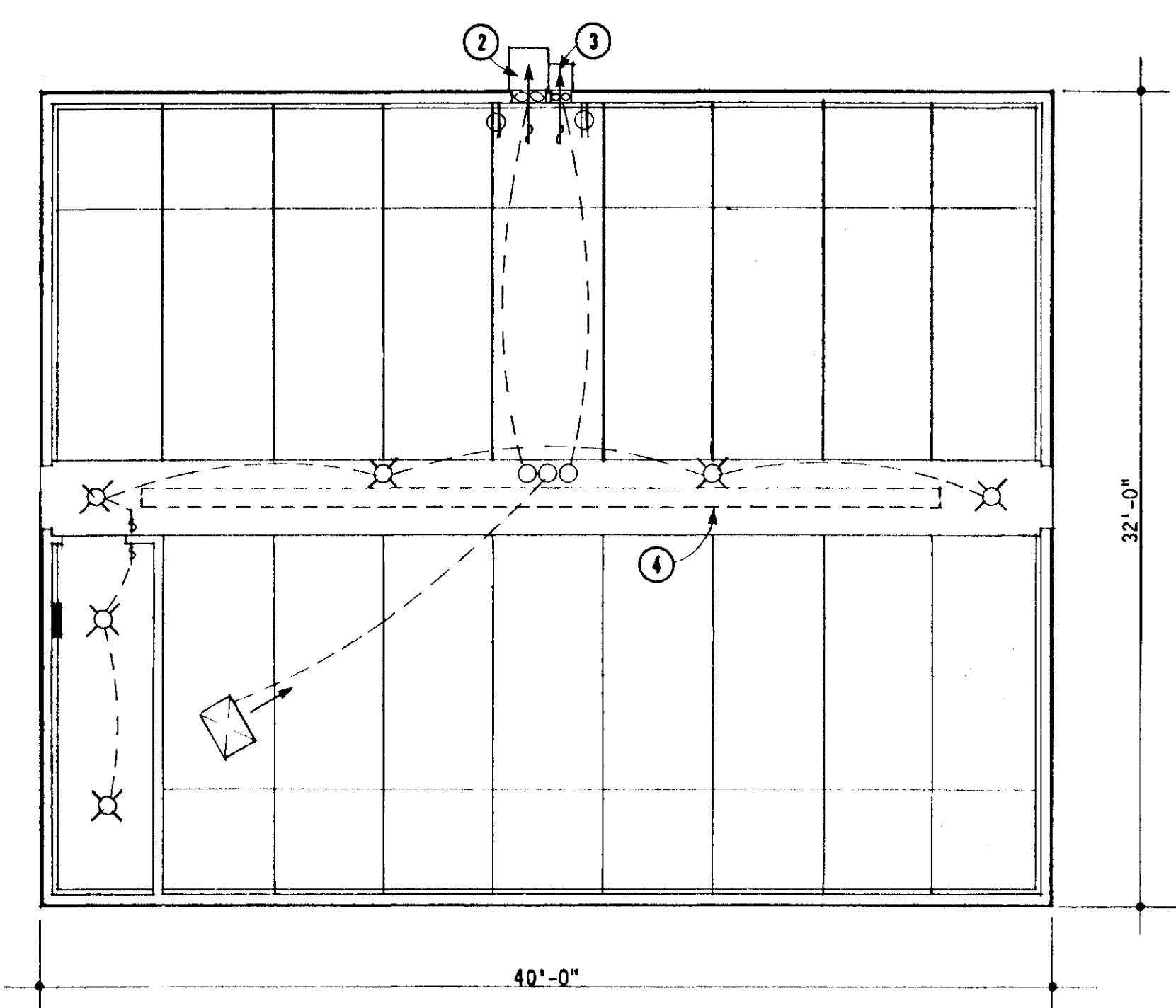
Revised & Re-issued Nov/76

SYM	REVISIONS	CHECKED	DATE	APPROVED

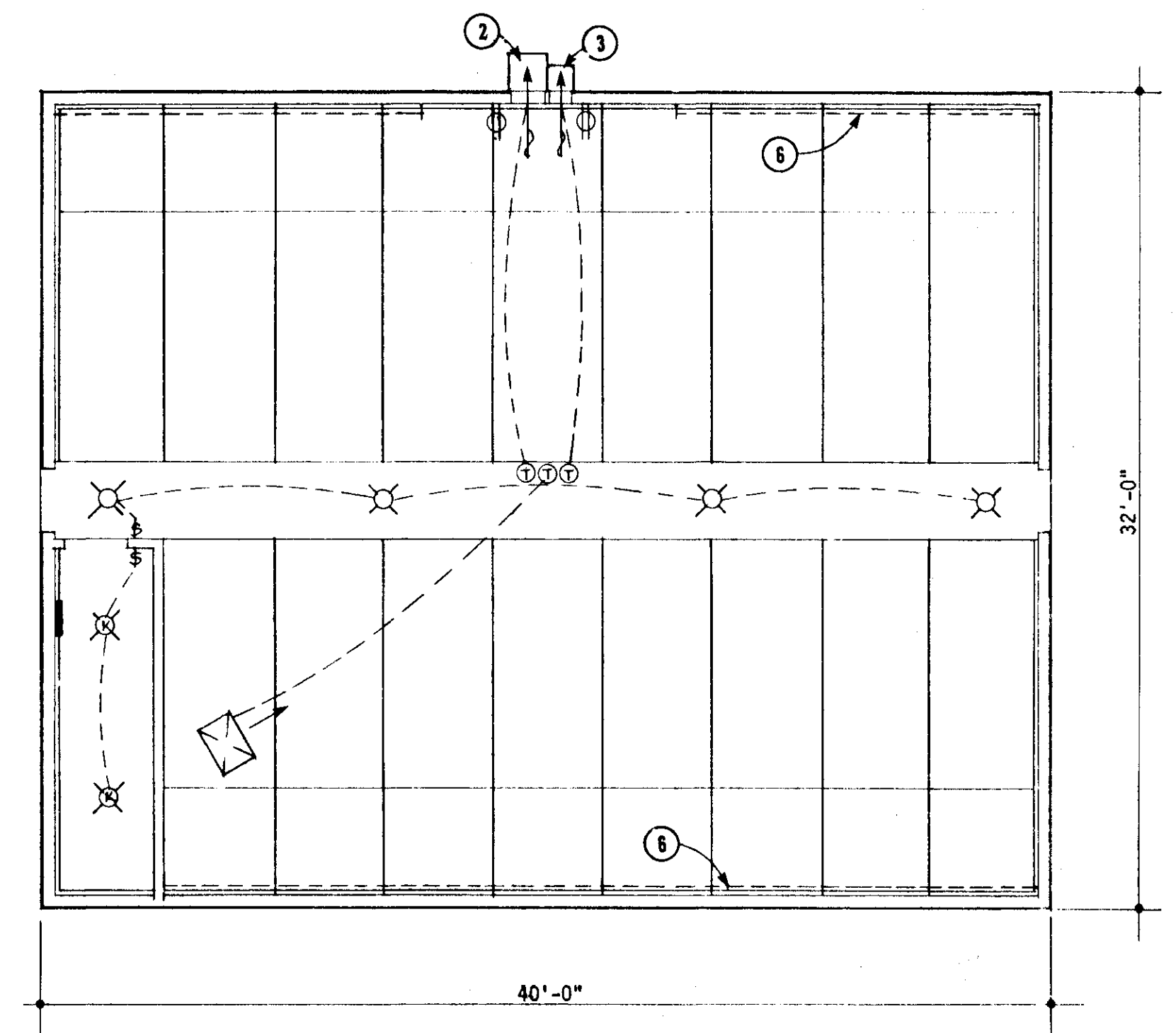
MANITOBA DEPARTMENT OF AGRICULTURE
 TECHNICAL SERVICES BRANCH
 AGRICULTURAL ENGINEERING SECTION

Cross Sections

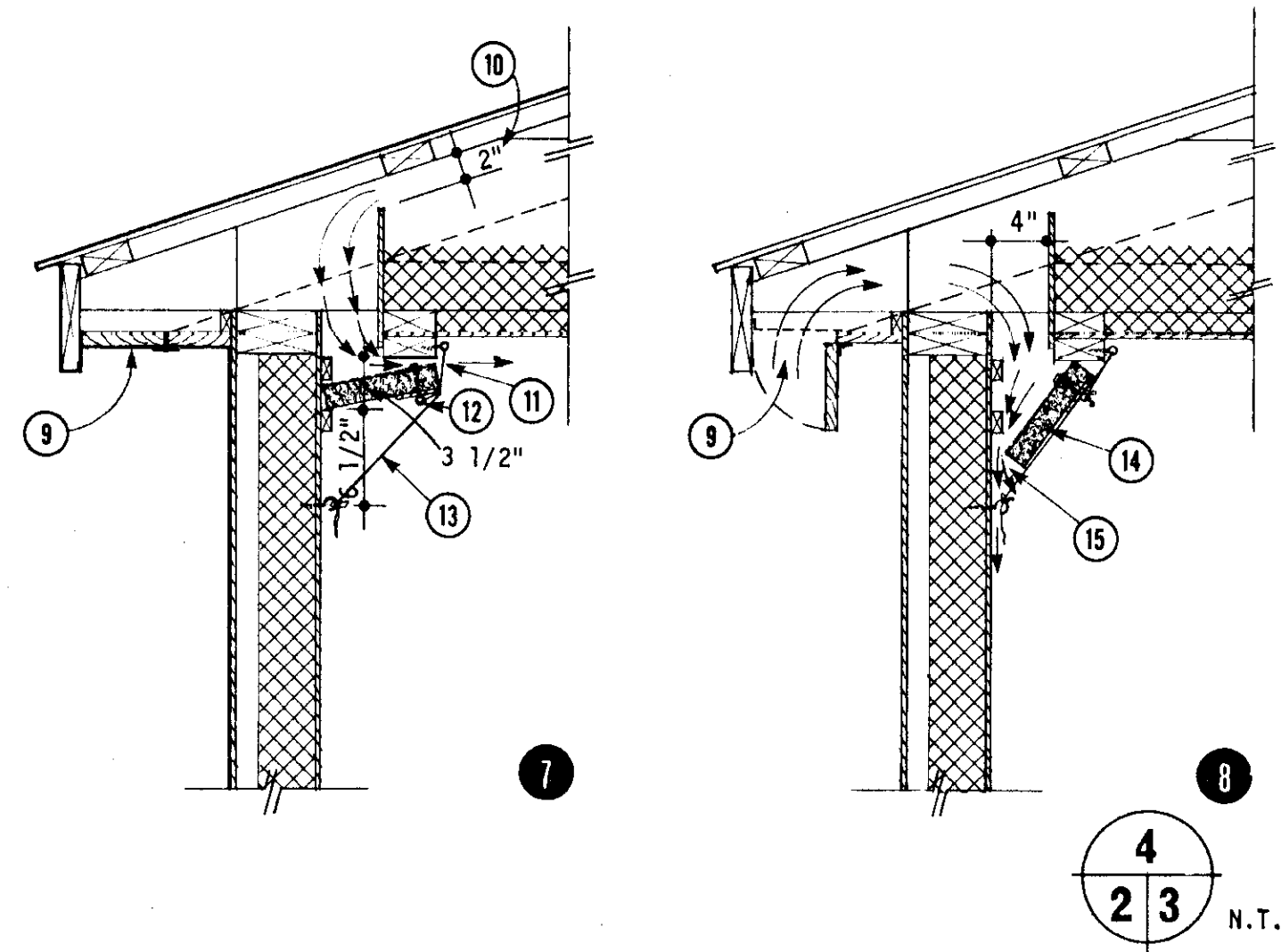
DATE 761617	DESIGNED BY T. D. W. W.	PLAN 3112
SCALE As shown	DRAWN BY J. R. P.	2 OF 3
	CHECKED BY J. R. P.	



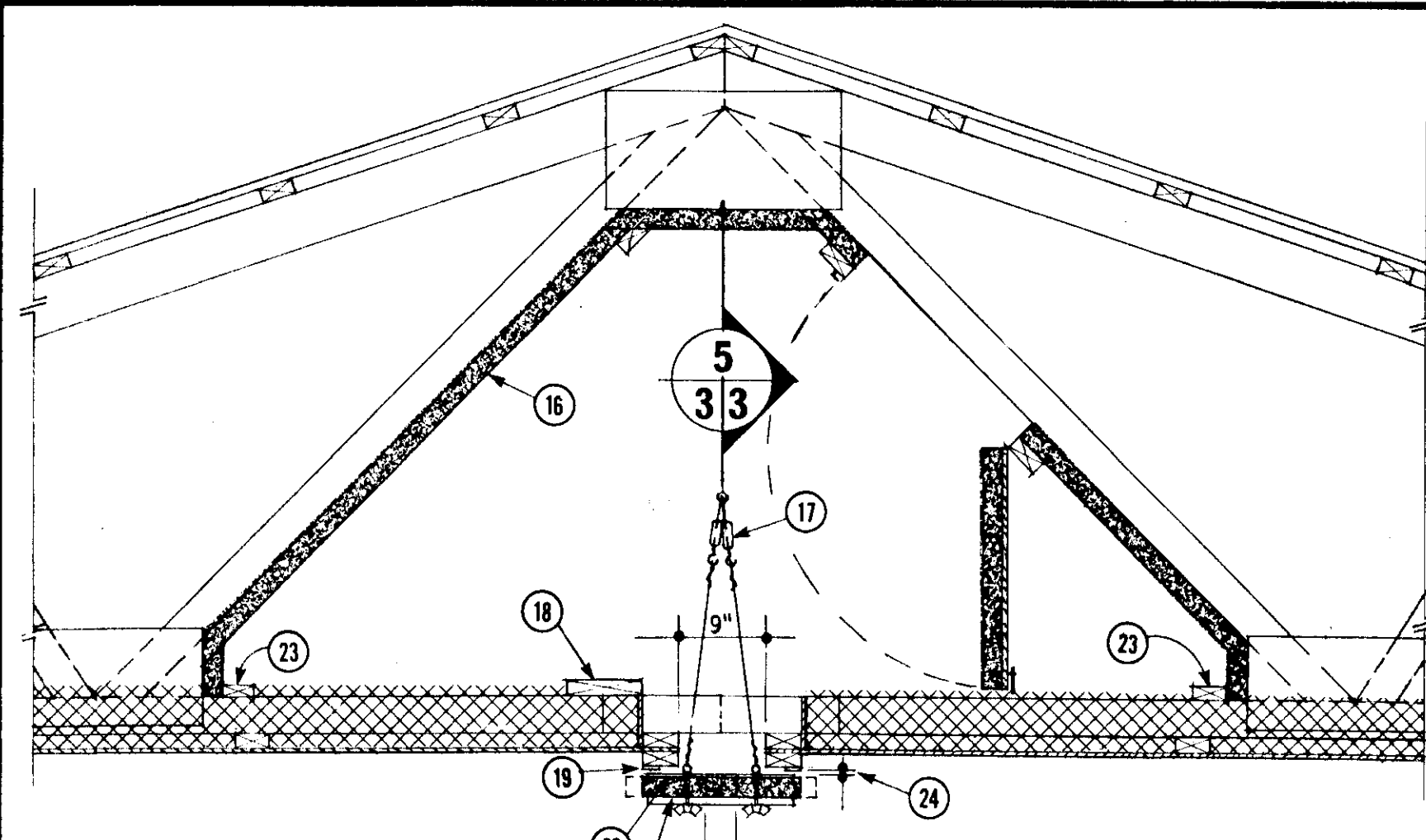
1
3/16"=1'-0"



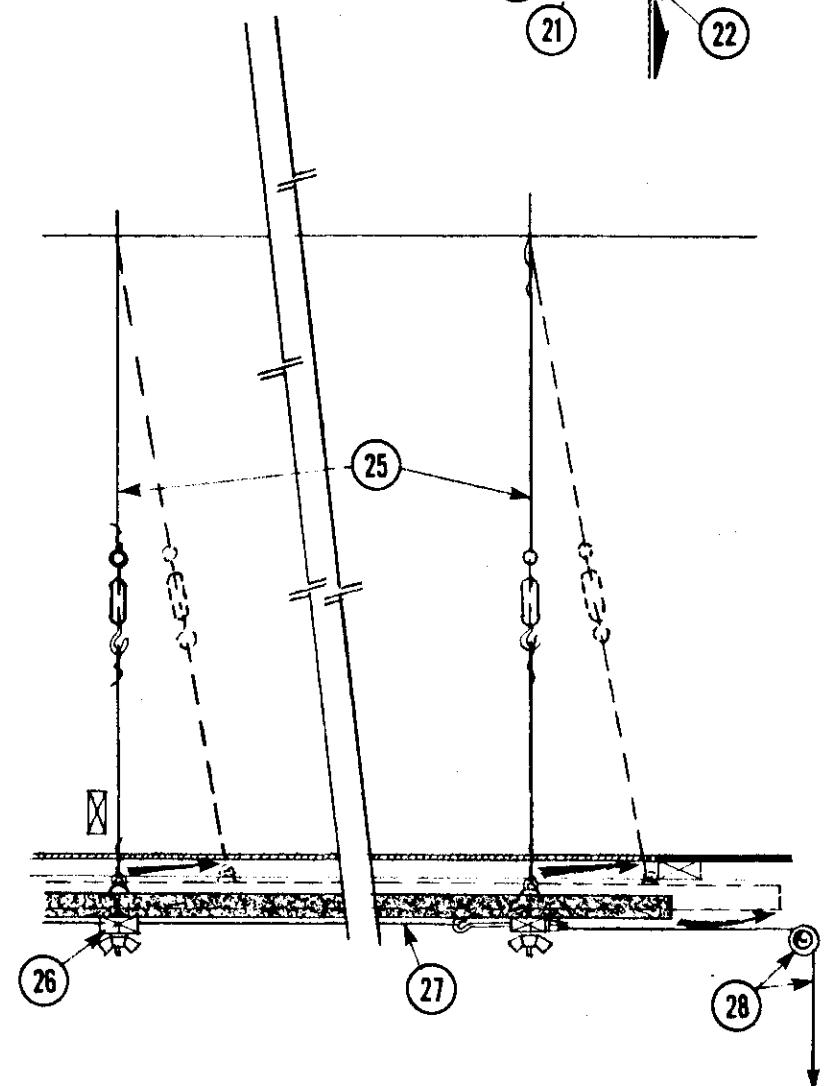
5
3/16"=1'-0"



4
2 3
N.T.S.



3
2 3
N.T.S.



5
3 3
N.T.S.

1. Ventilation plan, using center slot inlet.
2. Thermostatically controlled fan(s).
3. Continuous running fan.
4. Center slot inlet location.
5. Ventilation plan using eave inlet.
6. Eave inlet location. (Note: no eave inlet above the fans location.)
7. Fall, winter and spring setting.
8. Emergency hot weather setting.
9. Hinged soffit, screening with 1/2" hardware cloth.
10. Opening from attic.
11. Slot adjustable 1/8" to 1/2".
12. 3/16" plated eyebolt and 3" x 3" glued plywood washer, 3 per 8' flap.
13. Nylon chord.
14. 1 1/2" x 8" extruded polystyrene board flaps.
15. 1" slot for hot weather.
16. Insulated duct in truss space, from 2" polystyrene insulation board.
17. 3/16" turnbuckles to level inlet baffle.
18. Walk plank.
19. Moulding.
20. 3/16" x 1" x 15" steel strap 4' o.c., drilled for 2-3/16" eyebolts.
21. 2" x 8" x 8" slabs of high-density extruded polystyrene board, slotted at eyebolts.
22. Center slot opens to 3" for hot weather, closed at all other times.
23. 2" x 4" cleat.
24. Continuous slots adjustable from 3/16" (cold weather) to 3/8" (mild weather).
25. 16-GA. galv. steel suspension wires at 4' o.c. permit baffle to swing endwise, closing inlet slots to 3/16".
26. 1" x 2" x 15" wood cleat at 4' o.c.
27. Tight wire to connect baffles end-to-end.
28. Pulley and control rope at one end of room.

- ⊕ wall mounted outlets - voltage & configuration to suit installed fan requirements.
 - ⊗ 100 watt incandescent light fixture.
 - ⊗ similar to above but dust proof.
 - ⊞ heater.
 - ⊥ lighting switch.
 - distribution panel.
 - ⊙ thermostat.
- Note: Install service outlets at creep locations.
Air inlet systems are interchangeable

CANADA quick release plan
PLAN SERVICE
DWG. NO. O. 3112 SHEET 3 OF 3

Revised & Re-issued Nov/76
SYM REVISIONS CHECKED DATE APPROVED
MANITOBA DEPARTMENT OF AGRICULTURE
TECHNICAL SERVICES BRANCH
AGRICULTURAL ENGINEERING SECTION

Ventilation details
DATE 76 06 18 DESIGNED E.T. DARWIN PLAN 3112
SCALE As shown DRAWN [Signature] CHECKED [Signature] SHEET 3 OF 3