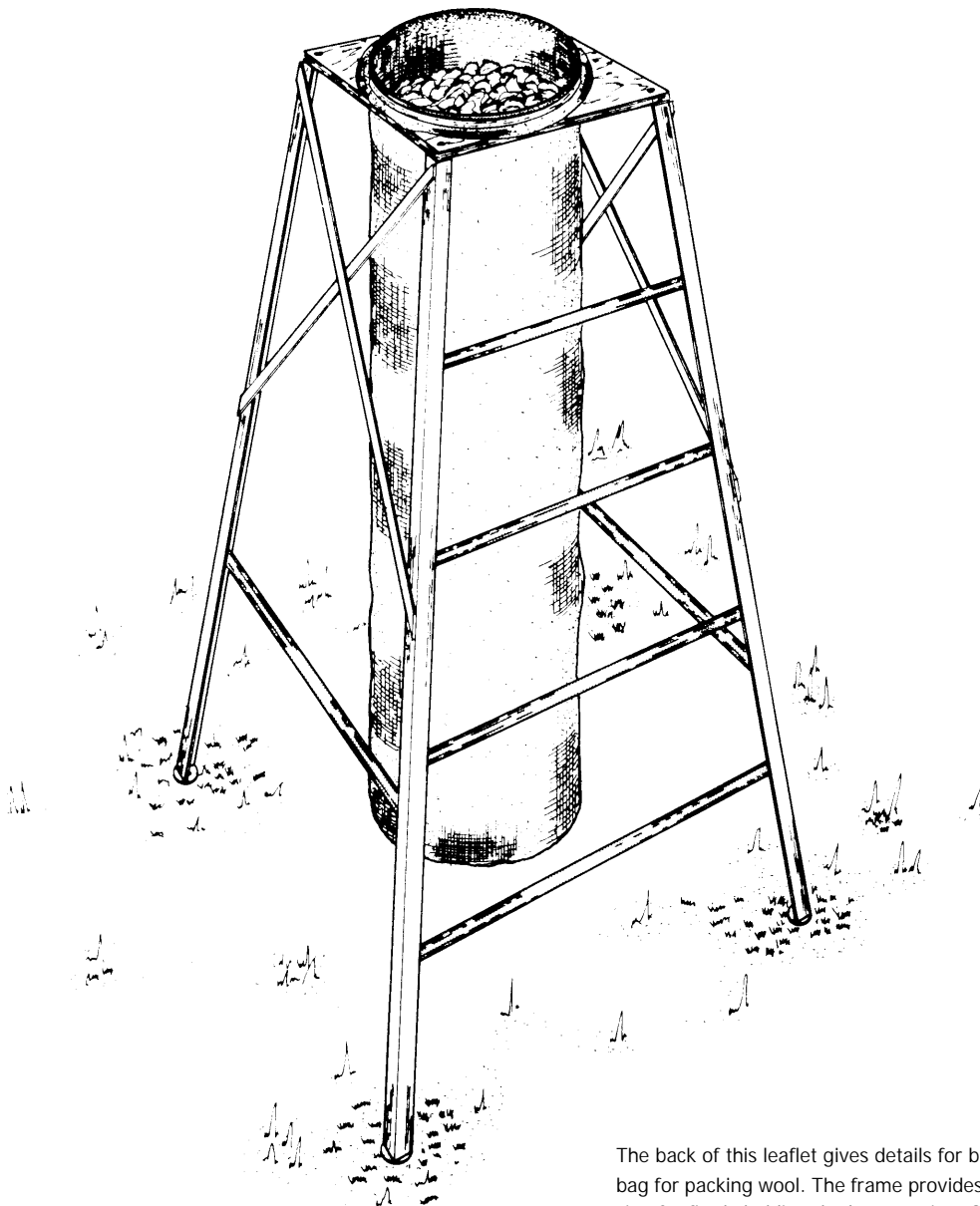


FLEECE PACKING FRAME



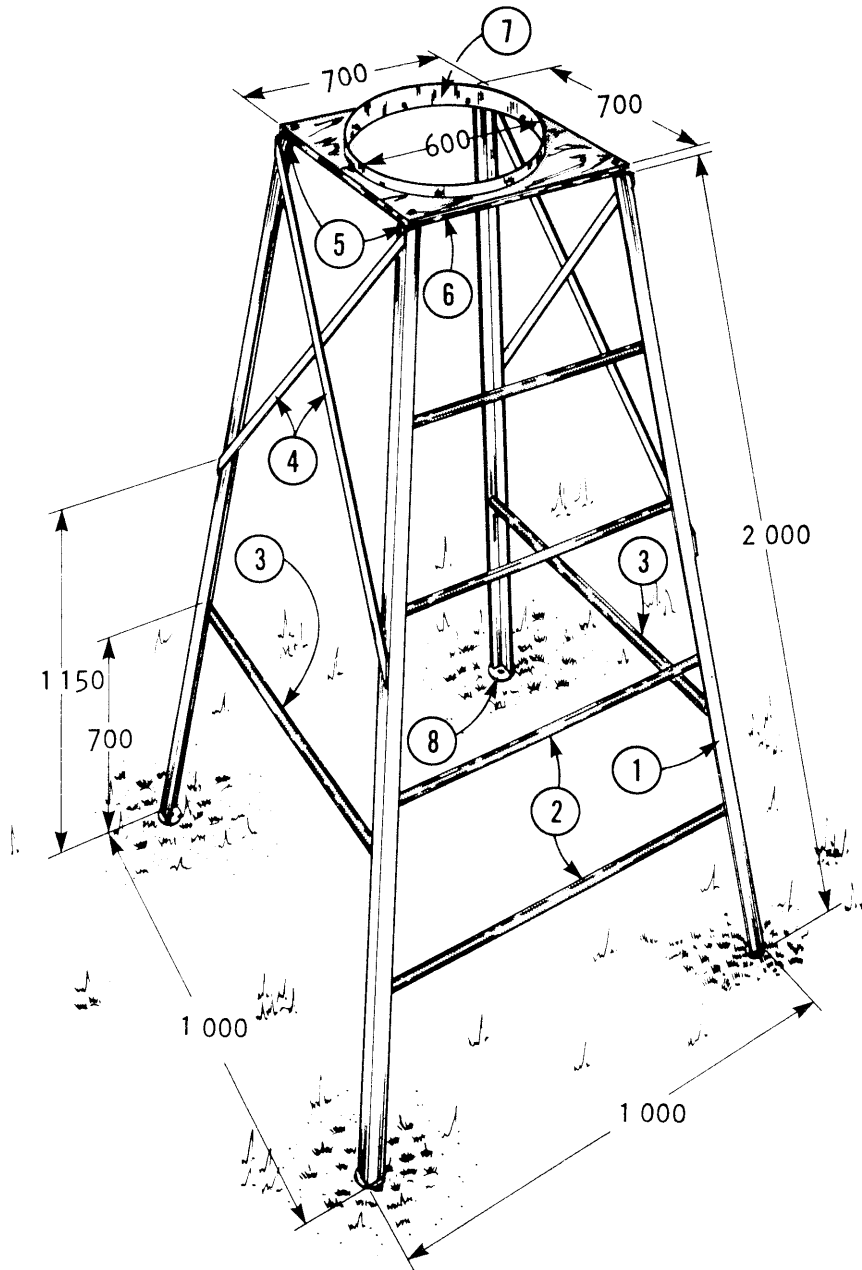
The back of this leaflet gives details for building a handy frame to hold a bag for packing wool. The frame provides a clamping ring for firmly holding the bag opening. One side of the frame has ladder rungs for climbing up to load and tramp the fleece.



The Canada Plan Service prepares detailed plans showing how to construct modern farm buildings, livestock housing systems, storages and equipment for Canadian Agriculture. This leaflet gives the details for a farm building component or piece of farmstead equipment. To obtain another copy of this leaflet, contact your local provincial agricultural engineer or extension advisor.

FLEECE PACKING FRAME

PLAN M -4553 REVISED 1:78



1. 38 x 38 x 3mm steel angle legs

2. 1" pipe steps, evenly spaced

3. 1" pipe for carrying, 2 sides of packing frame

4. steel strap bracing, weld to legs 1

5. steel tab, drill and weld to legs 1 for bolting plywood 6

6. 18mm plywood, bolt to 5 with round-head stove bolts

7. steel strap ring holds fleece bag; drill and countersink for wood screws to 6 (attach fleece bag with heavy rubber band or steel hoop)

8. Weld washer to each leg, sits flat on floor