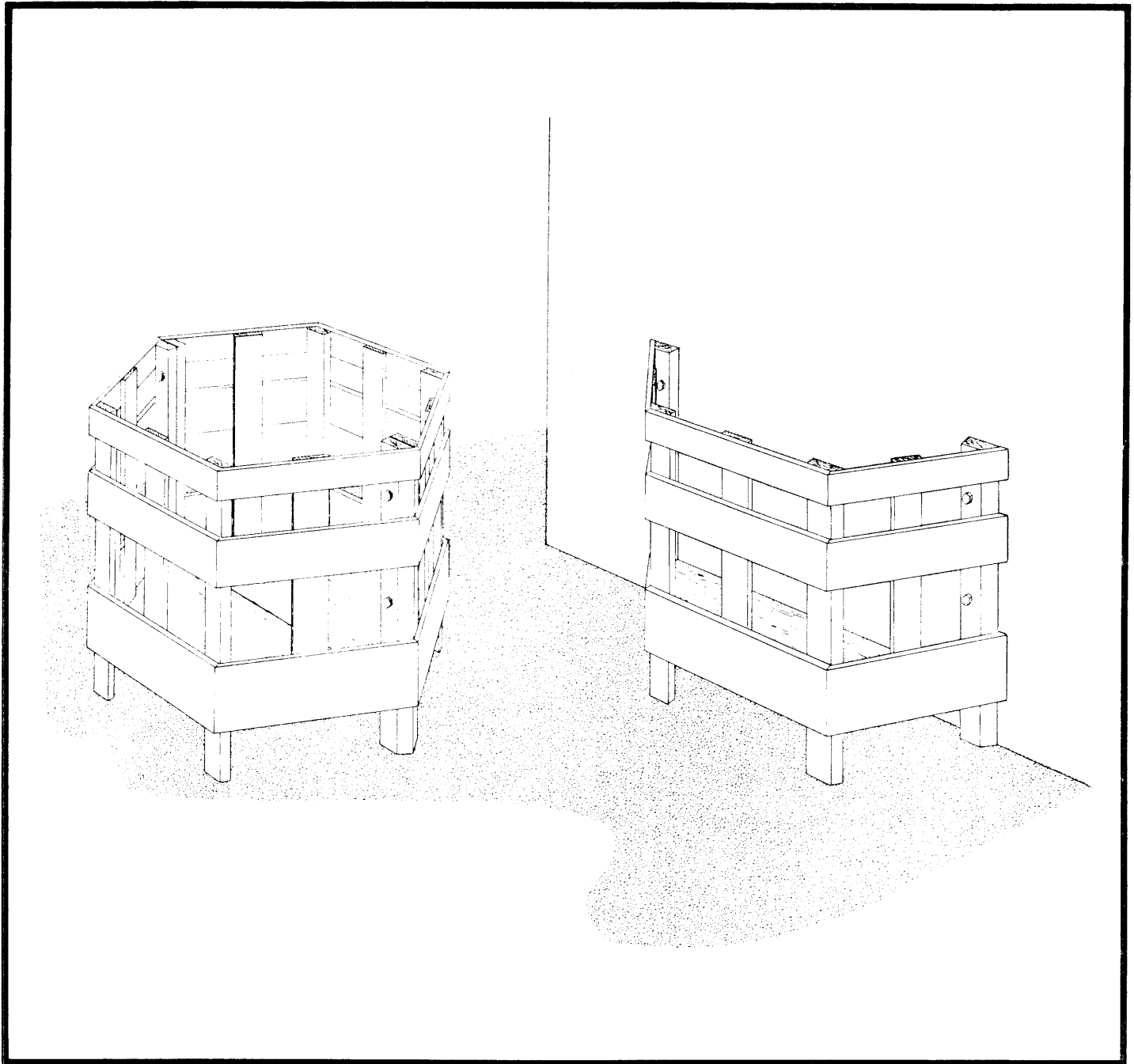


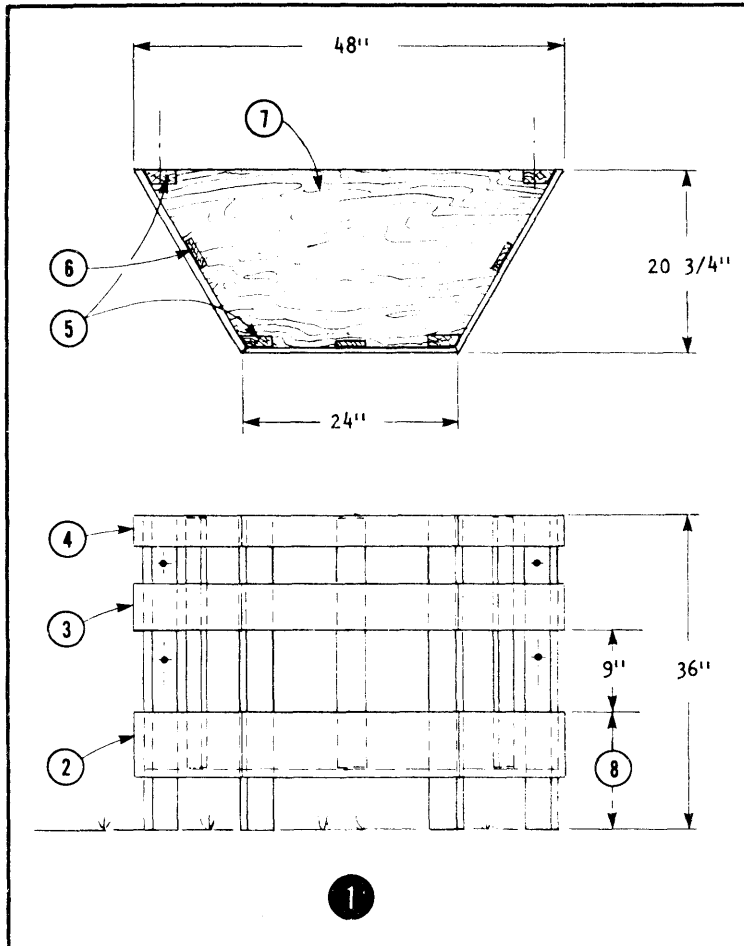
## 6-SIDED SHEEP FEEDER



## 6-SIDED SHEEP FEEDER

NEW 4:75

This leaflet gives details of construction of a popular sheep feeder for feeding roughage. This feeder can be placed in a pen or split in half and attached to a wall or fence. It can be easily moved by tipping on its side and rolling.



- 1 half of 6-sided feeder shown; may be bolted to a wall or fence or two halves may be bolted to each other to form a 6-sided sheep feeder
- 2 1" x 8" keeper
- 3 1" x 6" crosspiece support
- 4 1" x 4" top support
- 5 2" x 4" x 3'-0" corner uprights
- 6 1" x 4" x 2'-0" spacers
- 7 3/4" plywood bottom
- 8 see leaflet 4000 for throat height