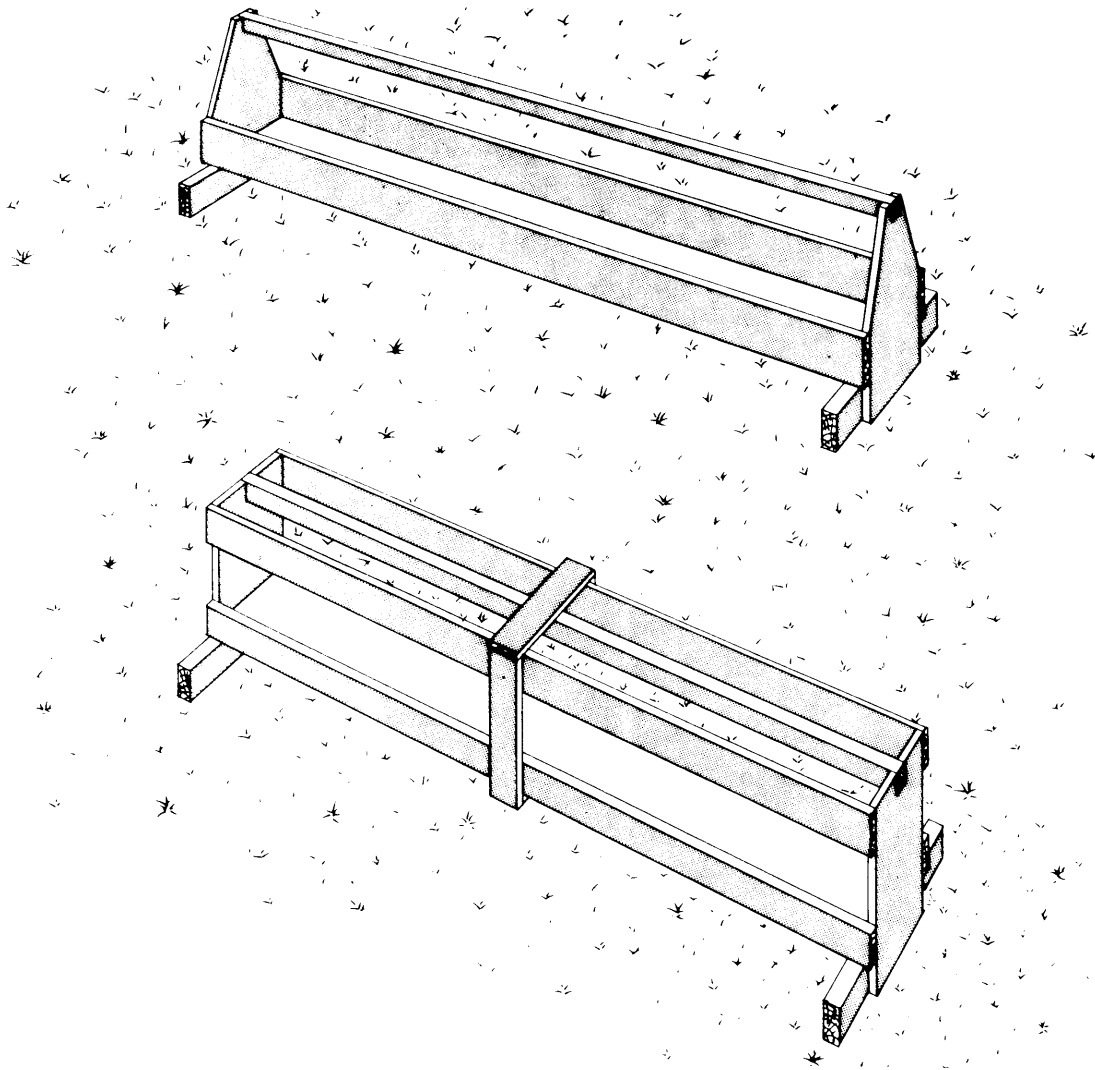


PLAN

M4615

## GRAIN FEEDERS FOR LAMBS



The back of this leaflet gives details for building two simple grain feed troughs suitable for lambs. These feeders may be located in field, feedlot or finishing pen. Each foot of double-sided feeder length will serve two lambs (group feeding all at once) or 6 lambs if self-fed continuously.

Cross-piece supports under each end prevent overturning and headrails at the top discourage lambs from running through the feed.



The Canada Plan Service prepares detailed plans showing how to construct modern farm buildings, livestock housing systems, storages and equipment for Canadian Agriculture.

This leaflet gives the details for a farm building component or piece of farmstead equipment. To obtain another copy of this leaflet, contact your local provincial agricultural engineer or extension advisor.

# GRAIN FEEDERS FOR LAMBS

PLAN M-4615 NEW 78:11

1. 38 x 38 x 2400 mm top rail
2. 19 x 286 mm end
3. 19 x 140 x 2400 mm sides
4. 19 x 286 x 2363 mm bottom
5. 38 x 89 x 600 mm skid

6. 38 x 89 x 2400 mm top rail
7. 19 x 89 x 2400 mm sides
8. 19 x 89 mm stiffener

9. ALL DIMENSIONS IN THIS METRIC PLAN ARE IN MILLI-METRES (mm) UNLESS OTHERWISE SPECIFIED

