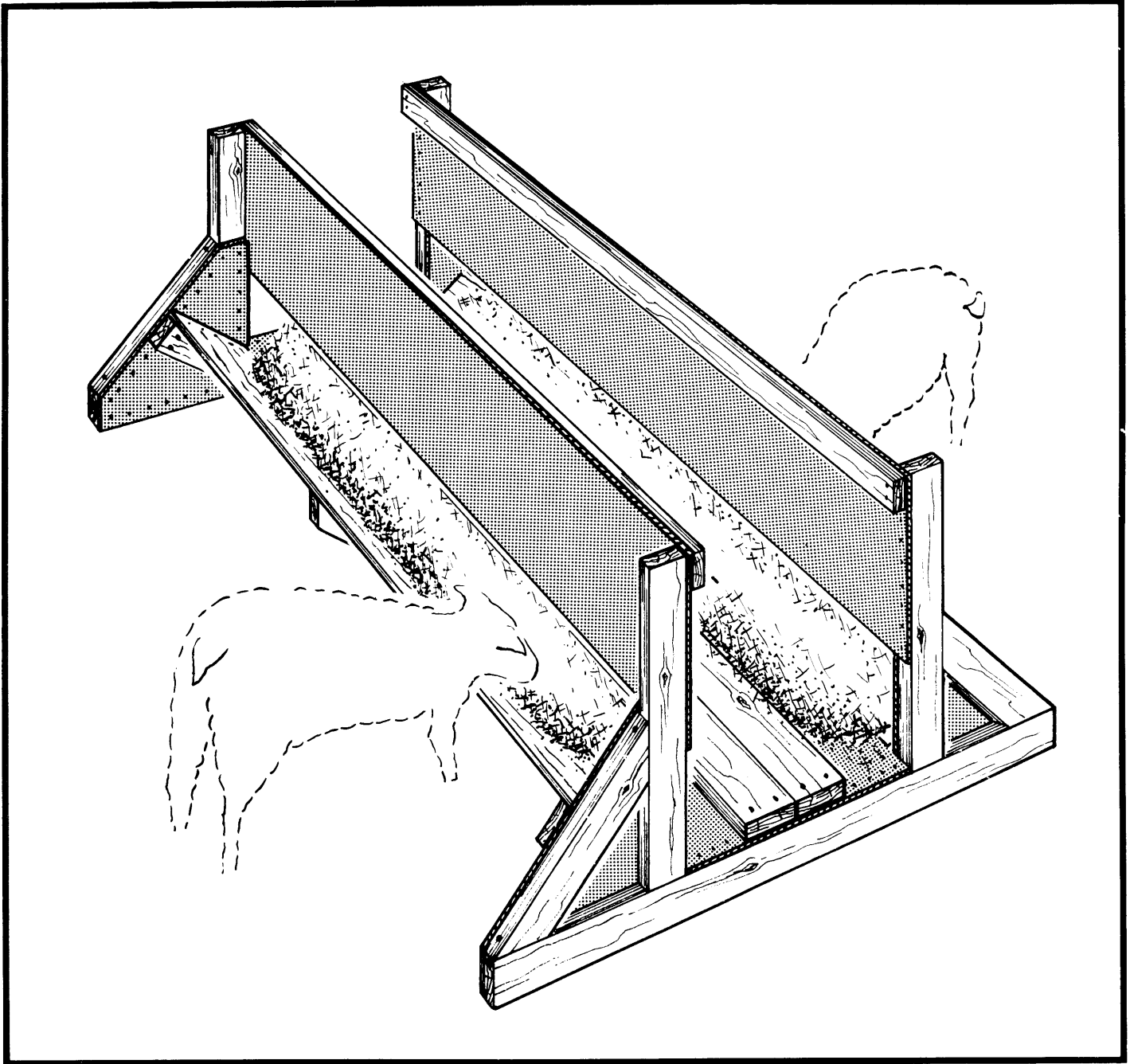


WALK THROUGH SHEEP FEEDER



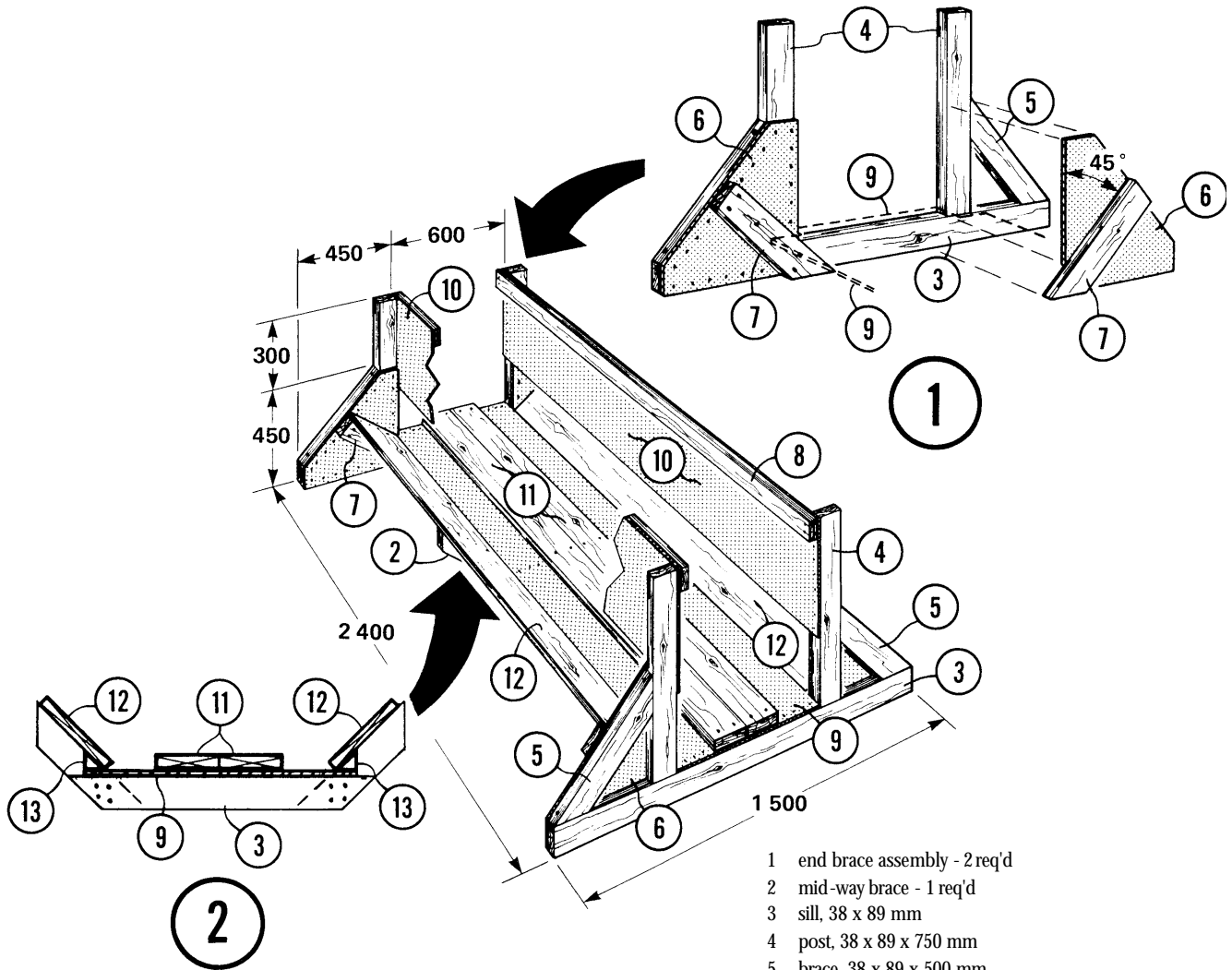
WALK THROUGH SHEEP FEEDER

PLAN M-4622 NEW: 82:01

This walk through sheep feeder is assembled in portable units 2.4 m long. The sections may be placed end to end to provide a continuous hay and grain feeder. The feeder may be placed to divide the barn into pens either lengthwise or across the bedded area. Two pieces of 38 x 140 mm planking are fastened to the floor of the feeder; this provides a walkway for the operator for feeding and observation of the flock. Each 2.4 m section provides feeding space for 6 to 8 ewes at a time on each side.

Some advantages of this feeder are as follow:

1. There is space underneath for prying the unit out of the bedded pack if necessary.
2. The feeder lengths are short and versatile for arranging a combined pen and feeding area within the barn.
3. The feeder acts as a walkway, and eliminates walking among the sheep for feeding.
4. The feeder is easy to clean.



- 1 end brace assembly - 2 req'd
- 2 mid-way brace - 1 req'd
- 3 sill, 38 x 89 mm
- 4 post, 38 x 89 x 750 mm
- 5 brace, 38 x 89 x 500 mm
- 6 gusset from 9.5 mm plywood
- 7 cleat, 38 x 89 x 375 mm
- 8 rail, 38 x 89 x 2400 mm
- 9 floor, 9.5 x 600 x 2400 mm plywood, notched around
- 10 side, 9.5 x 300 x 2400 mm plywood
- 11 walk plank, 2-38 x 140 x 2400 mm
- 12 trough 19 x 235 x 2300 mm plank, nail to 7 and 13
- 13 blocking, 38 x 38 x 2300 mm cut diagonally, nail to 9