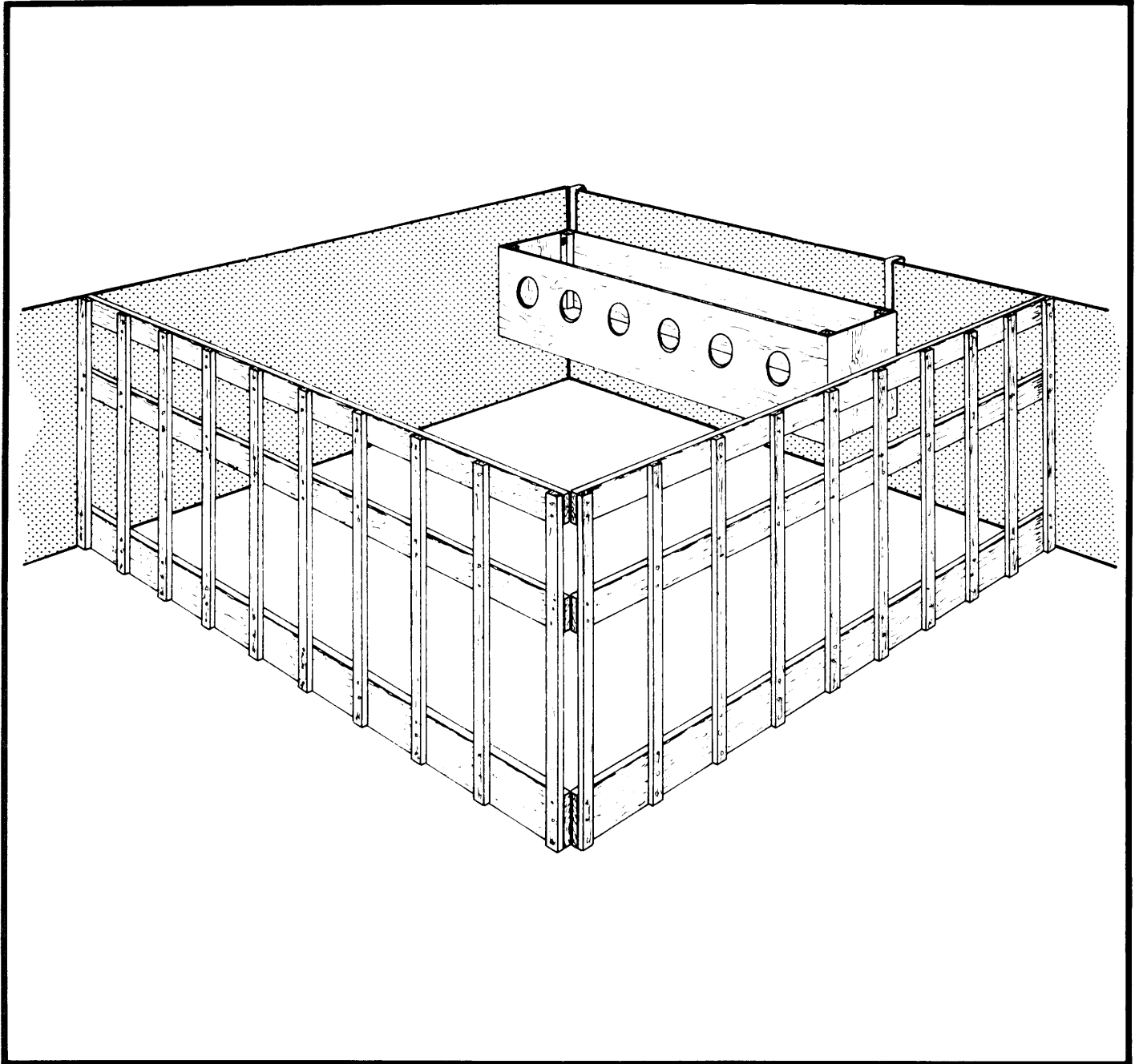


LAMB CREEP FEEDER



The Canada Plan Service prepares detailed plans showing how to construct modern farm buildings, livestock housing systems, storages and equipment for Canadian Agriculture.

This leaflet gives the details for a farm building component or piece of farmstead equipment. To obtain another copy of this leaflet, contact your local provincial agricultural engineer or extension advisor.

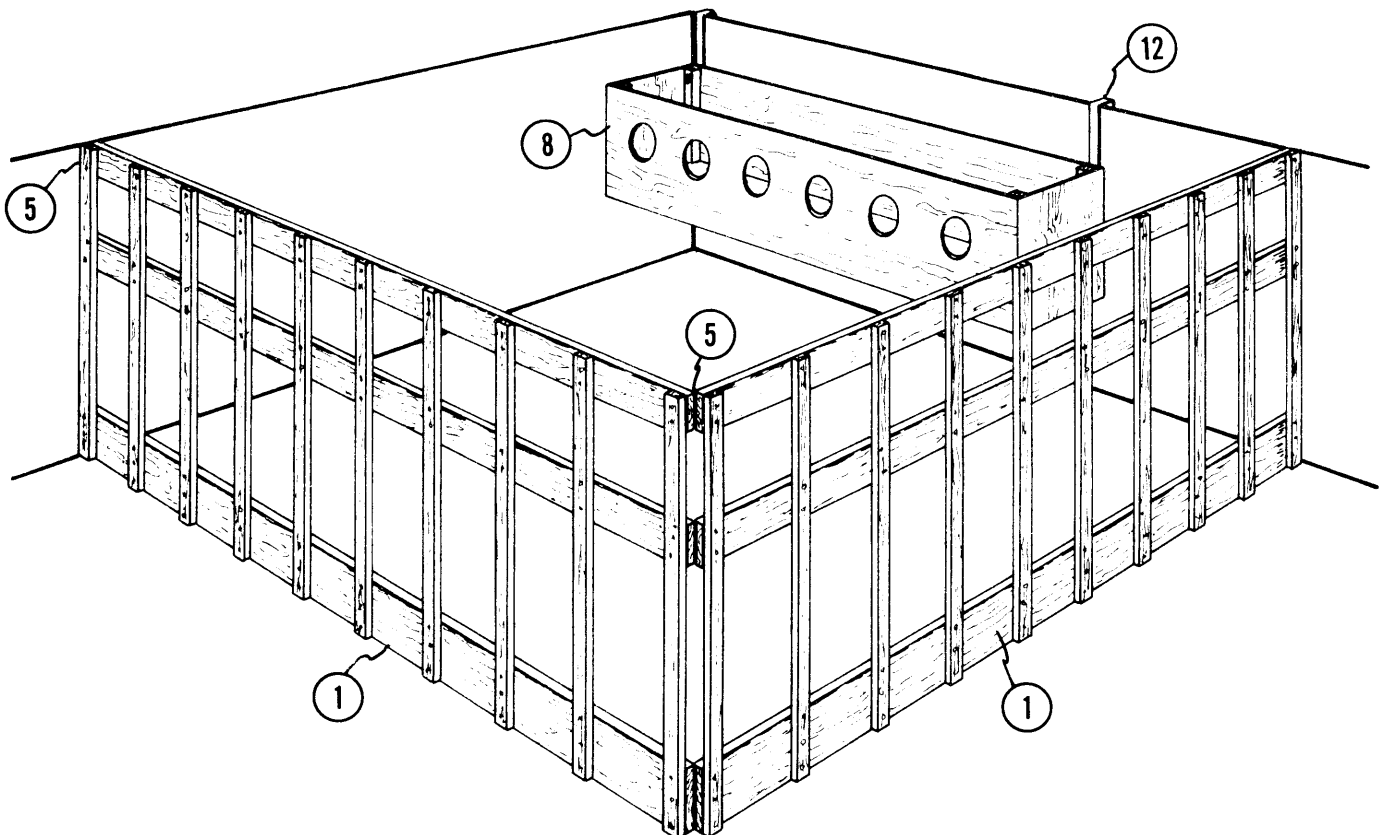
LAMB CREEP FEEDER

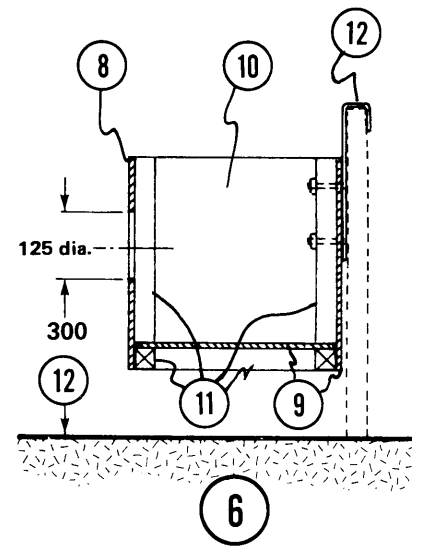
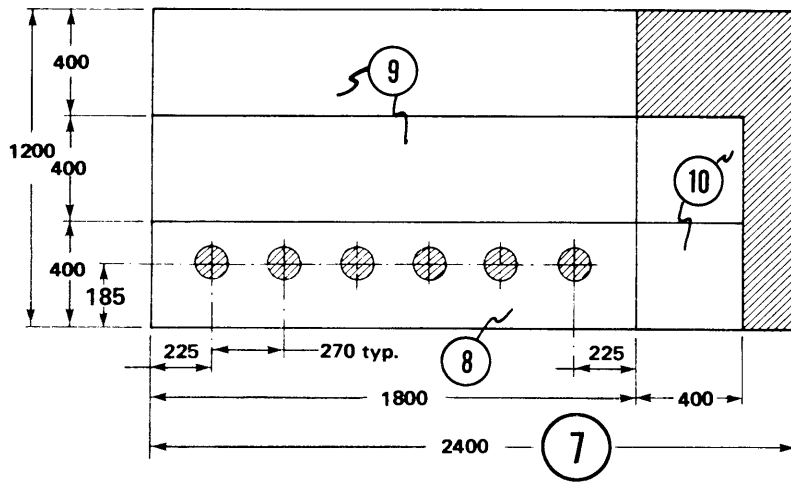
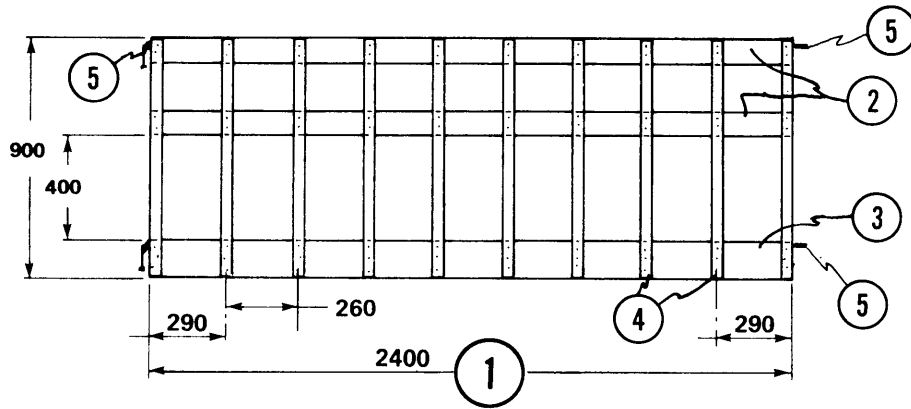
PLAN M-4623 NEW 81:11

The creep consists of two 2.4 m sections hinged together so that a pen is formed when the sections are attached to two adjacent partitions in the sheep barn. Truck hooks and fasteners hold the creep panels in place.

The panels are constructed of 19 mm boards and are easy to lift and store and yet have adequate strength to allow separation of the lambs and ewes.

The lightweight portable lamb feeder as shown fastens to the pen partition by two truck hooks and fasteners. The feeder minimizes feed contamination and is readily removed for cleaning.





1. creep panel, 2 req'd per unit
2. 19 x 89 x 2400 mm top pieces
3. 19 x 140 x 2400 mm bottom pieces
4. 19 x 38 x 900 mm dividers
5. truck box hooks and fasteners (permanently attached to creep panels and barn walls)
6. section of feeder showing assembly
7. 12.5 mm plywood cutting detail
8. feeder front, with 6 - 125 mm dia holes as located
9. feeder, back and bottom
10. feeder, ends
11. 38 x 38 mm stiffeners
12. 2 hooks, from 6 x 38 mm flat bar, bend to suit pen partition, fasten to 11 through feeder back with M10 bolts; keep feeder at proper feeding height from floor