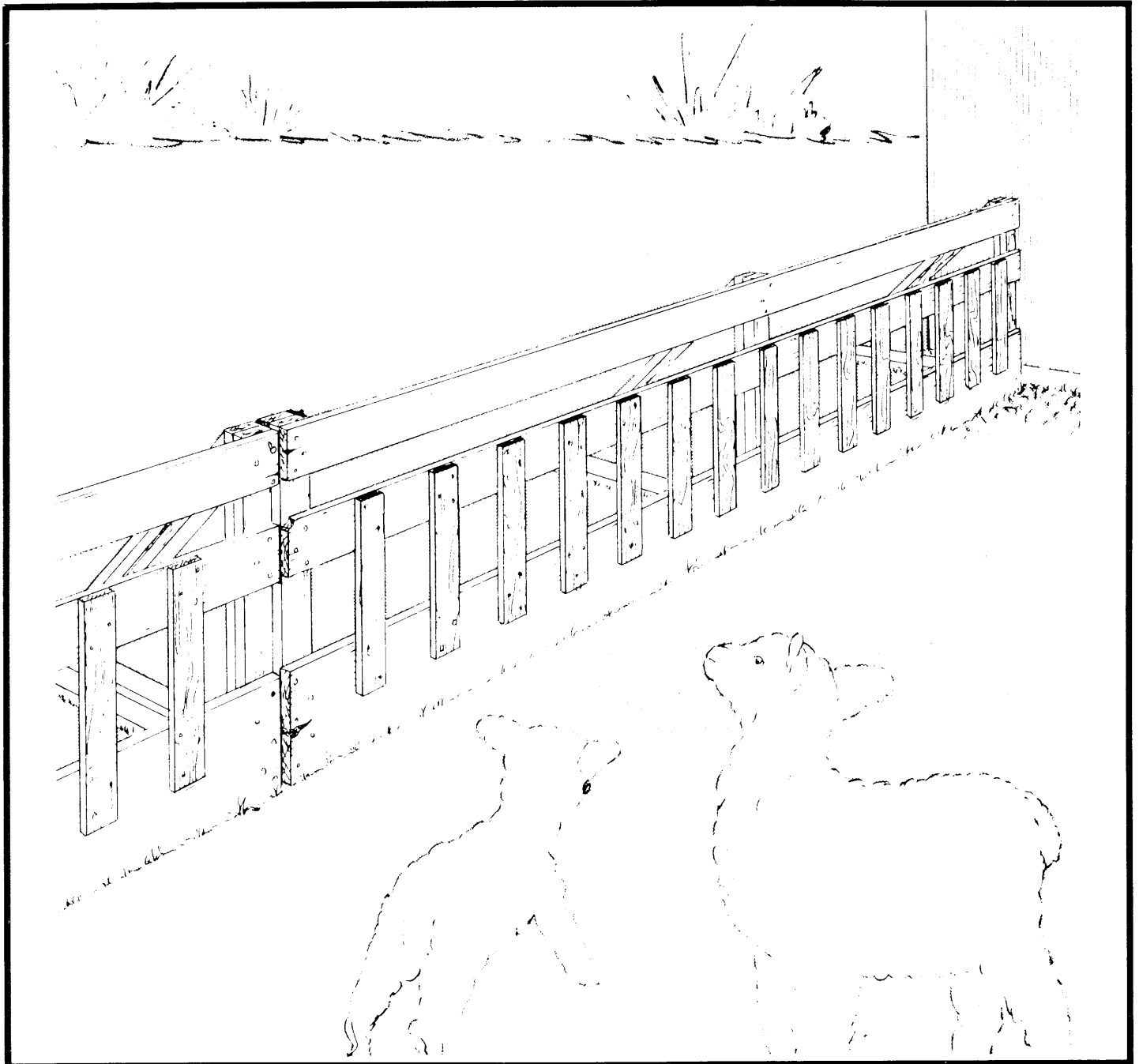


PLAN
M-4624

PORTABLE HAY FEEDING FENCE FOR SHEEP



The Canada Plan Service prepares detailed plans showing how to construct modern farm buildings, livestock housing systems, storages and equipment for Canadian Agriculture.

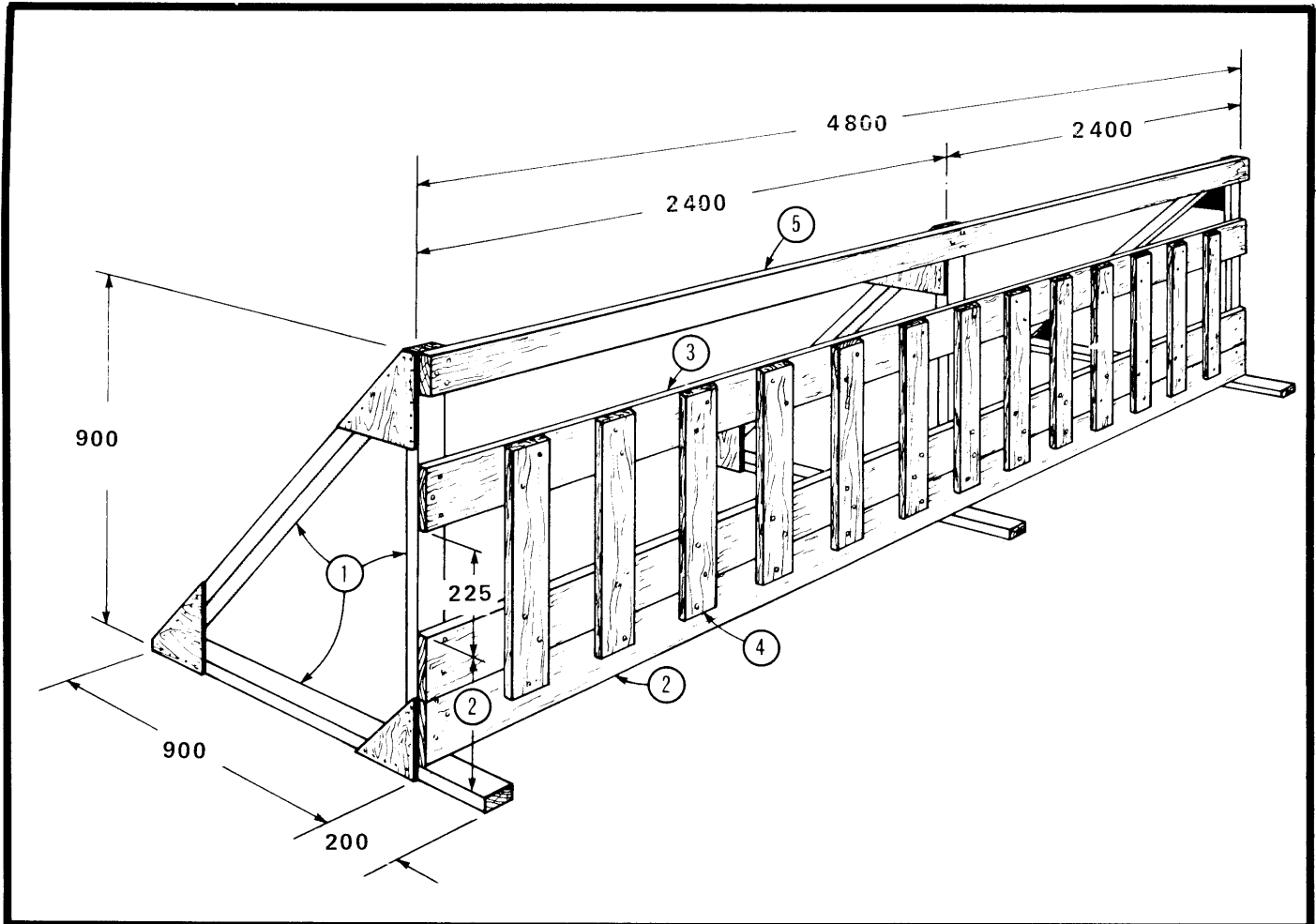
This leaflet gives the details for a farm building component or piece of farmstead equipment. To obtain another copy of this leaflet, contact your local provincial agricultural engineer or extension advisor.

PORTABLE HAY FEEDING FENCE FOR SHEEP

PLAN M-4624 New 79:06

This plan gives details for a self-supporting fence panel for self-feeding baled or loose hay. Use the panel along the feedlot side of the haystack to control wastage and keep sheep off the haystack. The

The height of the throat board and the spaces between the verticals should be made to suit the size of sheep to be fed. Where this feeding fence is used indoors, some adjustment of overall length may be required to allow the fence panel to fit between building poles.



1. 38 x 89mm frame with 12.5 plywood gussets
2. 19 mm throat board, 250 to 300 mm high for feeder lambs, 300 to 375 mm for ewes and rams
3. 19 x 140 x 4800 mm
4. 19 x 140 mm verticals @ 150 mm min. clear opening for lambs (make 15) or 188 mm min. clear opening for ewes and rams (make 13)
5. 38 x 89 x 4800 mm