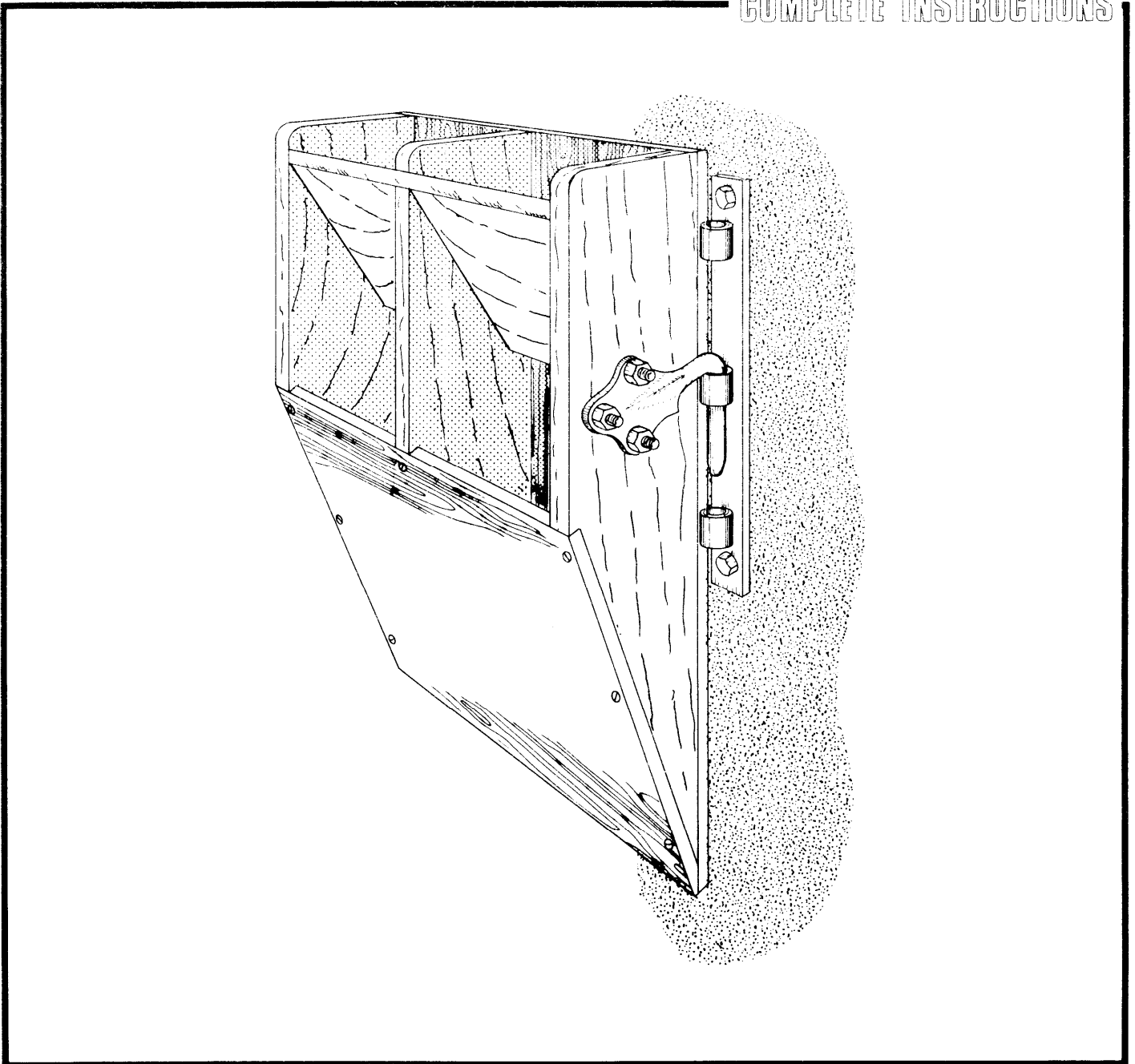


SHEEP SALT AND MINERAL FEEDER

COMPLETE INSTRUCTIONS



The Canada Plan Service prepares detailed plans showing how to construct modern farm buildings, livestock housing systems, storages and equipment for Canadian Agriculture.

This leaflet gives the details for a farm building component or piece of farmstead equipment. To obtain another copy of this leaflet, contact your local provincial agricultural engineer or extension advisor.

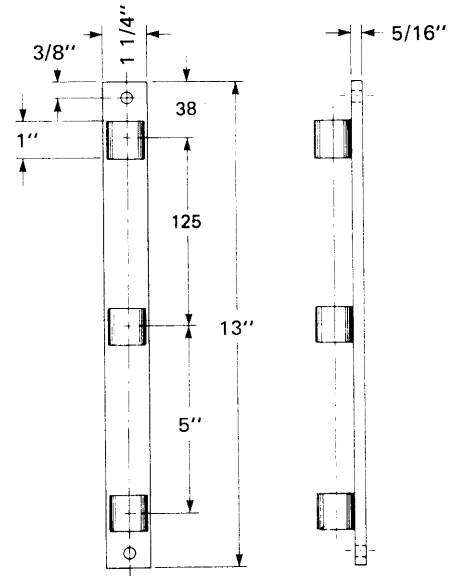
SHEEP SALT AND MINERAL FEEDER

PLAN 4632 NEW 06:05

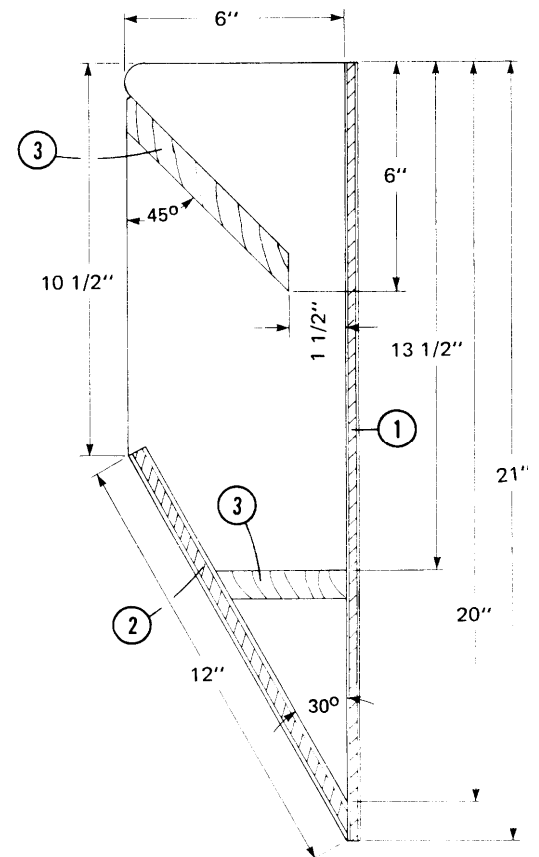
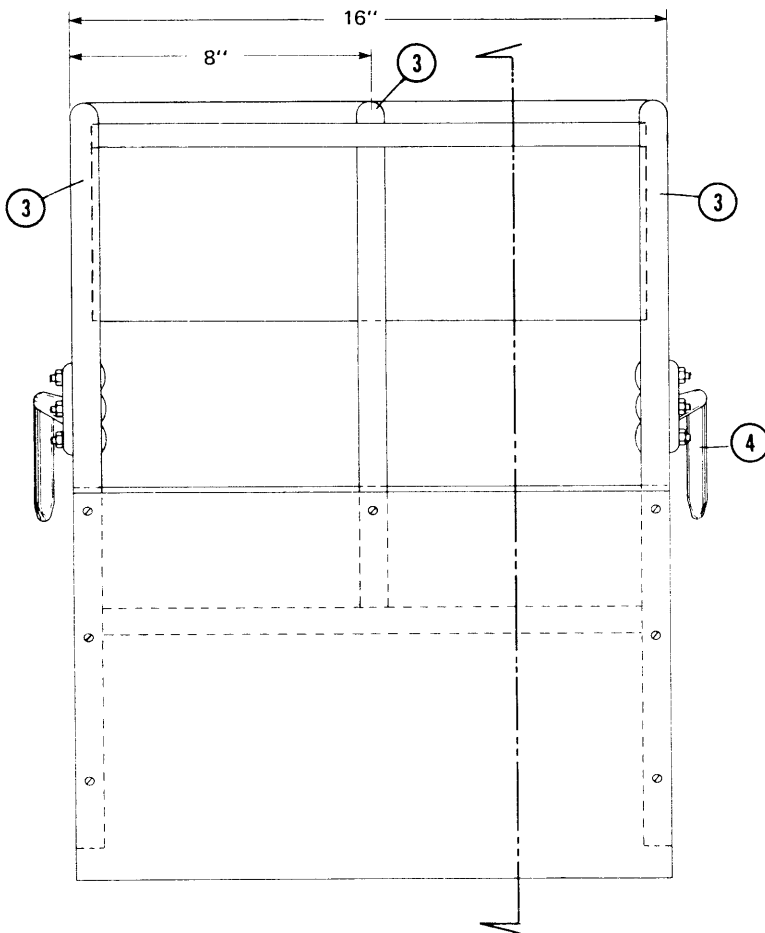
This compact little feeder has two compartments for up to 1 lb of cobaltized salt and ½ lb of mixed minerals. It serves up to 50 sheep. It was designed and tested at Agriculture Canada's experimental farm at La Pocatiere, Quebec.

Make the end-pieces and divider from smooth ¾ inch hardwood to discourage chewing. The feeder is shaped to minimize injuries to sheep as they run by. Truck-rack hardware is used to hook the feeder into adjustable wall brackets secured to a wall or sheep pen partition. As the bedding builds up, the feeder should be adjusted as high as the sheep can easily reach, to prevent soiling. A built-in hopper over the salt and mineral compartments helps prevent spilling the minerals when filling.

Locate the feeder on a wall or pen partition, preferably adjacent to a service passage for easy dumping and filling, and well away from the sheep waterer.



5



- 1. 3/8" plywood back
- 2. ½" plywood keeper
- 3. ¾" hardwood bottom, hopper, sides and partition

- 4. truck box hook, 1 (L), 1 (R)
- 5. wall bracket, made of ½" dia. gale. steel pipe, welded to steel bar