

COMPLETE INSTRUCTIONS

The Canada Plan Service, a Canadian federal/provincial organization, promotes the transfer of technology through factsheets, design aids and construction drawings that show how to plan and build modern farm structures and equipment for Canadian agriculture.

For more information, contact your local provincial agricultural engineer or extension advisor.

This leaflet gives construction details for a small claiming pen. Ewes and newborn lambs are held in a claiming pen for up to three days after lambing. Ewes, more than other animals, establish a motherhood bond with their young. The claiming pens provide isolation for this bond to develop.

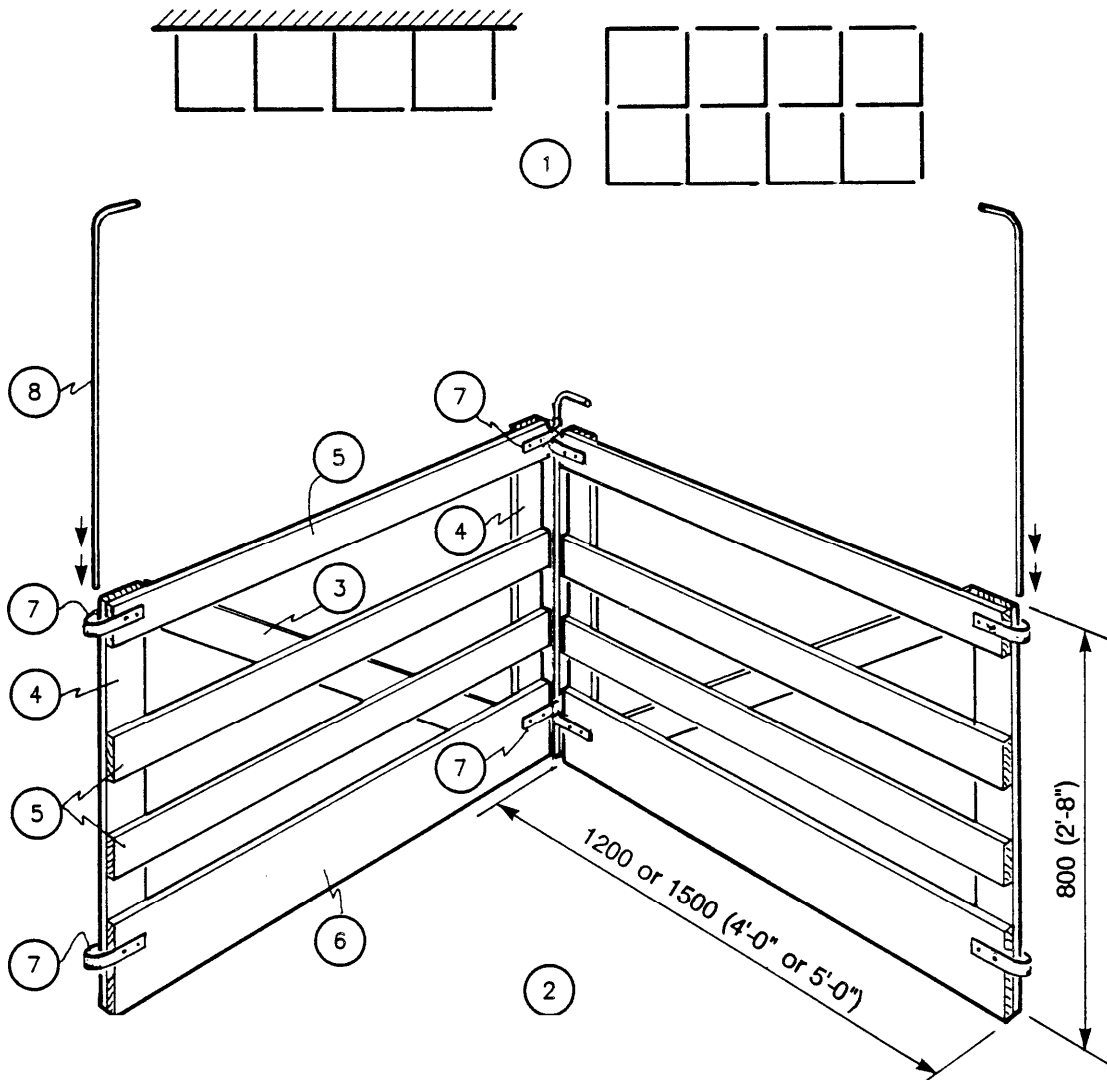
Claiming pens should be provided for 10-15% of the ewes exposed to rams over a 1-month period. If breeding is synchronized, additional pens will be required.

All pen panels are similar except that some are 1.2 m (4 ft) long and others are 1.5 (5 ft) long. Different sized pens can

be quickly arranged by clipping panels together.

A 1.2 x 1.2 m (4 x 4 ft) pen is adequate for an ewe and her young after lambing. However, if the pen is used for lambing as well, it should be enlarged to 1.2 x 1.5m (4x5ft) or 1.5x 1.5m (5x5ft).

Ensure the strap metal loops on the ends of the panels are large enough to allow the rods to be easily slipped into place when clipping the panels together. When not in use, panels can be conveniently hung flat on a wall for out-of-the-way storage.



1. possible claiming pen arrangements by clipping fence panels together.
2. two fence panels.
3. 19 x 89 mm (1 x 4 in.) brace.
4. 19 x 89 x 800 mm (1 x 4 in. x 2 ft 8 in.) uprights.
5. 19 x 89 x 1200 mm (1 x 4 in. x 4 ft) horizontal rail (make 1500 mm (5 ft) long if claiming pen is also used for lambing).
6. 19 x 184 (1 x 8 in.) bottom rail.
7. 6 x 38 x 250 mm (1/4 x 1 1/2 x 10 in.) bent strap, to fit vertical corner rod, bolt to top and bottom rails.
8. removable corner rod, min. 12 mm (1/2 in.) diam x 900 mm (3 ft) long.