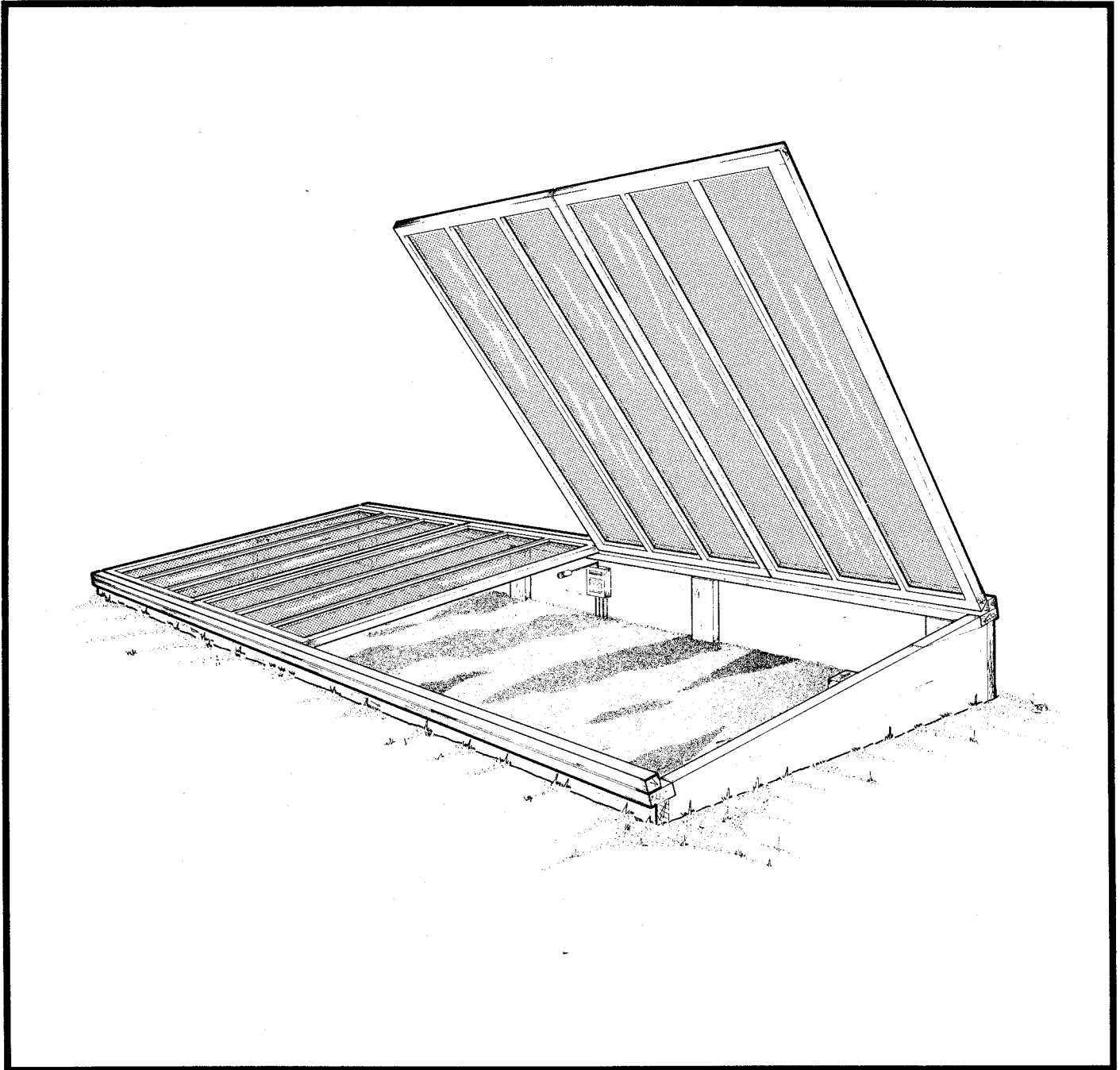


HOTBED AND COLDFRAME



HOTBED AND COLDFRAME

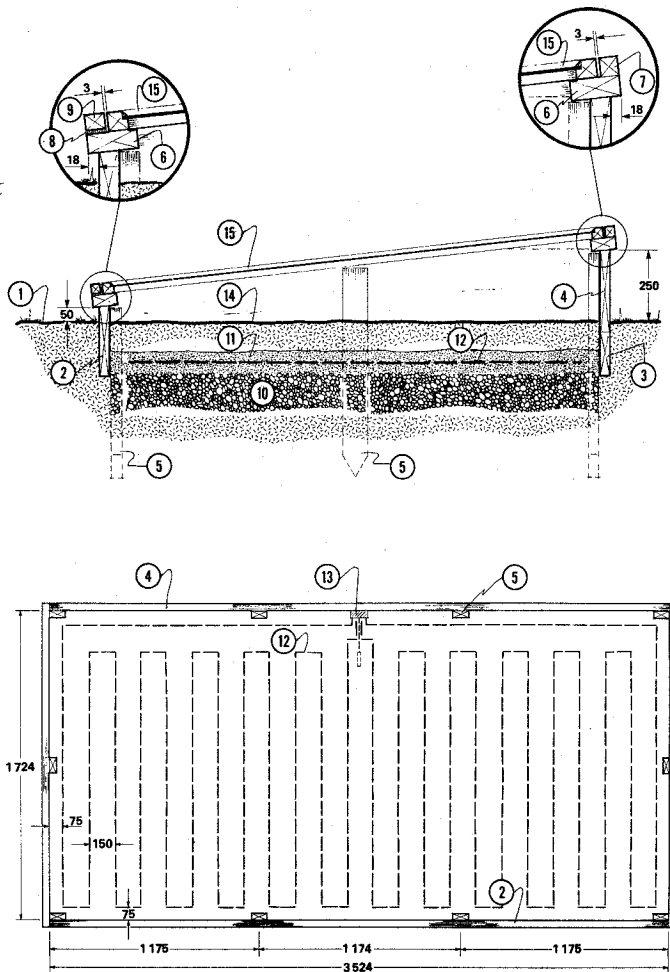
PLAN M-6119 NEW 80:08

This plan is for building a low hotbed or coldframe structure suitable for the hobbyist or small commercial grower. Larger growers will probably prefer a plastic or glass greenhouse because of lower labour requirements and better working conditions.

The basic unit is designed for either the hotbed or the coldframe. In the hotbed,

some form of supplemental heat is provided, such as soil heating cable. The unheated coldframe simply protects the plants while they are being tempered for outdoor conditions.

A simple sloping plank frame closes the walls and provides the framework for a row of removable standard .9 x 1.8 m glazed wood sashes. The frame can be made any length in multiples of .9 m.



- 1 existing grade
- 2 38 x 235 mm
- 3 38 x 140 mm
- 4 38 x 286 mm
- 5 38 x 89 mm stakes
- 6 38 x 89 mm plates
- 7 38 x 38 mm stop strip
- 8 5-10 x 38 x 150 mm drip slot spacer block
- 9 19 x 38 mm stop strip
- 10 150 mm gravel
- 11 75 mm sand bed
- 12 electric heating cable buried in sand
- 13 thermostat with bulb
- 14 100 mm soil bed
- 15 standard 900 x 1800 mm greenhouse sash
- 16 sides and ends to be banked with straw etc. when unit is in operation