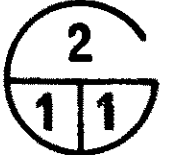
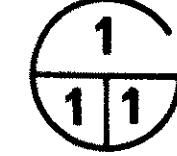
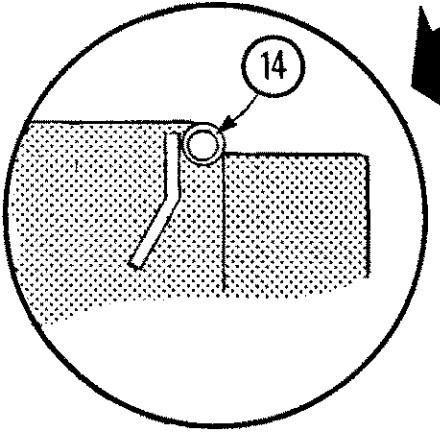
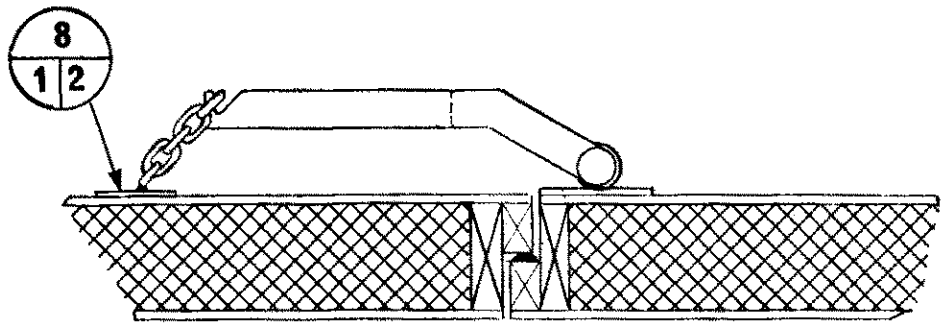


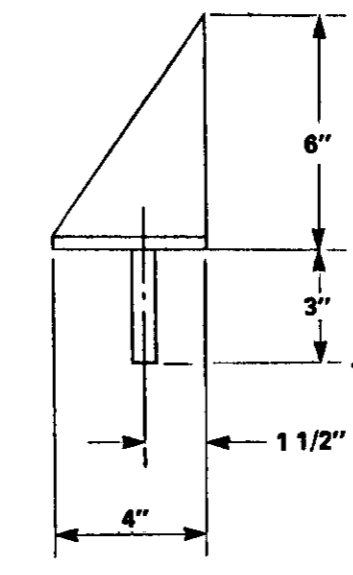
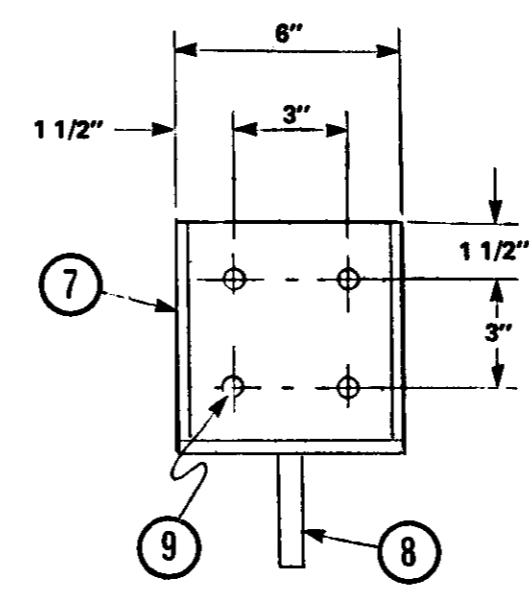
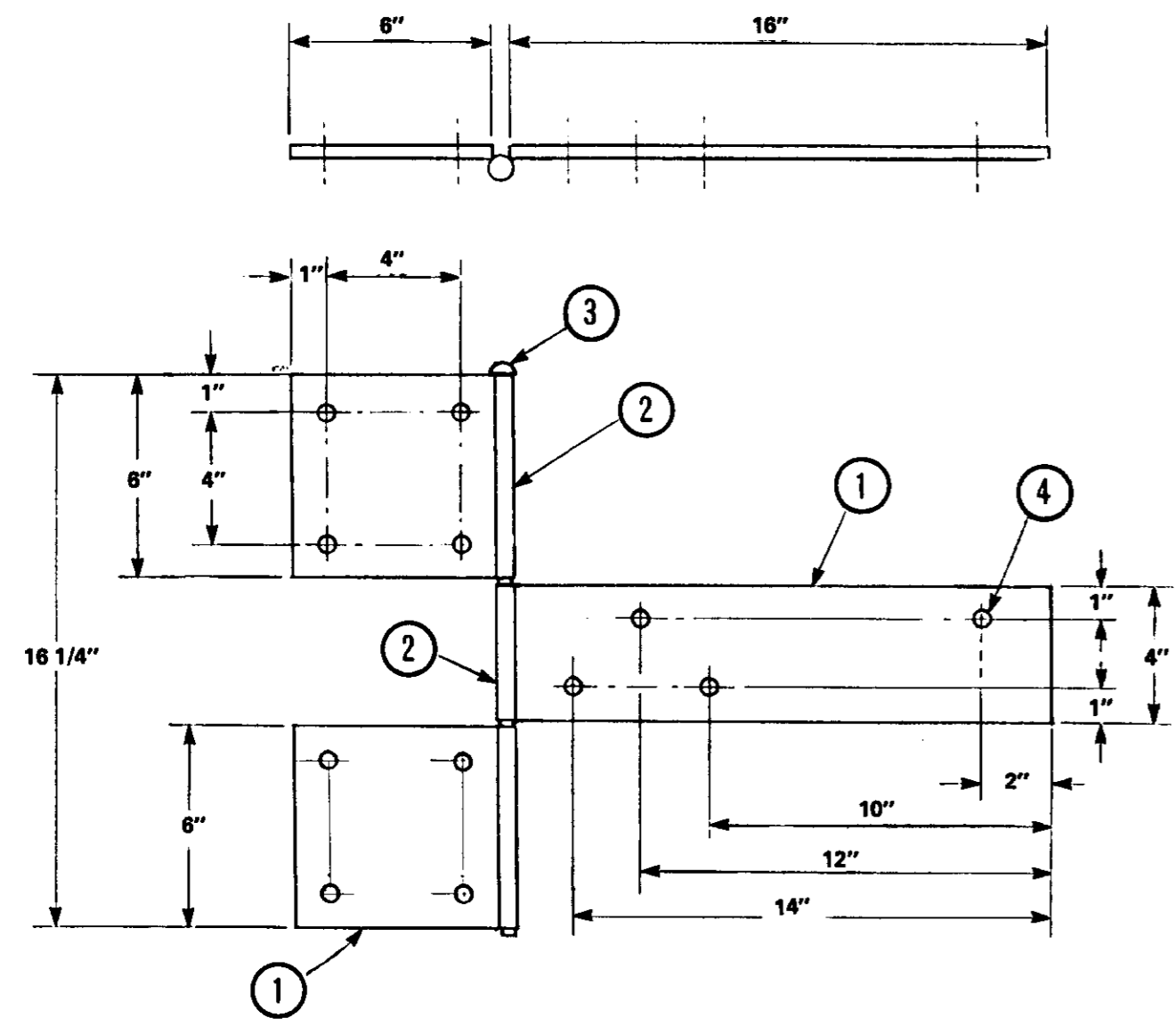
1	insulated storage doors
2	exterior cladding to match building
3	2" x 6" framing at 2' - 0" oc.
4	2" x 6" blocking at all hinge locations
5	2" x 6" blocking at all unsupported plywood joints
6	2" x 6" blocking at all lag bolt locations
7	R20 friction fit insulation
8	4 mil polyethylene vapour barrier
9	3/8" exterior sheathing grade plywood
10	drill through doors and building and secure hinges with 1/2" dia. bolts, nuts and washers
11	1 1/2" dia. galvanized pipe 13' - 8" long
12	door overhang 2" x 4" framing, flashing at intersection of wall cladding and roofing
13	3/4" dia. x 8" long floor pin locate before pouring concrete
14	2" dia. x 12' - 0" long galvanized bumper pipe with no. 4 x 8" rebar anchors welded @ 30" oc.
15	weatherstripping, on all edges of doors

WARNING
 This plan may require structural and other changes to meet local site conditions, climatic loads, user requirements and applicable building regulations (such as the Canadian Farm Building Code). Before construction, the user of this plan is responsible to ensure that all required changes are made.

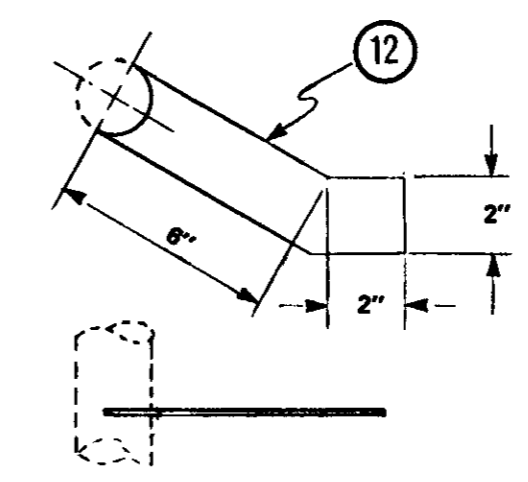
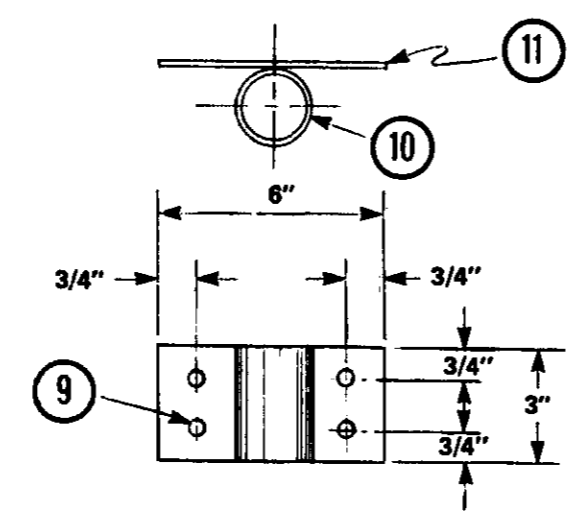
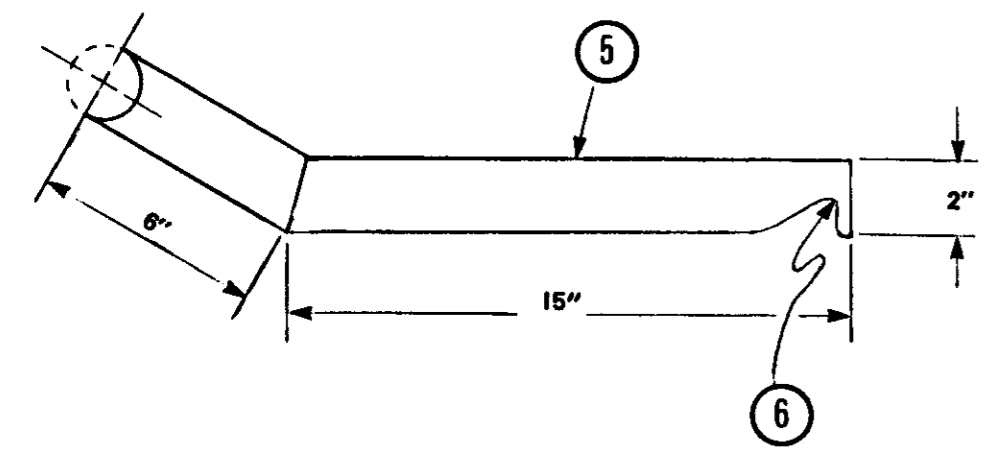
SYM	REVISIONS	CHECKED	DATE	APPROVED
		INSULATED STORAGE DOORS		
DESIGNED		DATE		PLAN
DRAWN L. Morgan		REVISED		6121
TRACED		DETAIL NUMBER		A
CHECKED H. A. J.		ORIGINATES ON SHEET		B
		DRAWN ON SHEET		C
not to scale				SHEET 1 OF 2



1	hinge from 3/8" steel plate, 3 per door
2	1/2" dia. steel pipe welded to (1)
3	1/2" dia. steel pin 16 3/8" long c/w head
4	drill to clear 1/2" dia. bolt, 12 per hinge
5	closure handle from 1/4" steel plate, weld to 1 1/2" dia. vertical pipe to suit (12)
6	notch to suit chain available
7	header pin block, from 3/8" steel plate, shim to suit (12)
8	3/4" dia. x 3" long pin weld to (7)
9	drill to clear 3/8" dia. x 4" long leg bolts
10	door closure guides, 2" dia. pipe, weld to (11), 3 req'd.
11	1/4" steel anchor plate
12	door closures latch, from 1/4" steel plate, 2 req'd, weld to 1 1/2" vertical pipe, locate to suit pins in floor and header block (7)
13	chain anchor plate from 1/4" steel plate
14	chain, size and length to suit

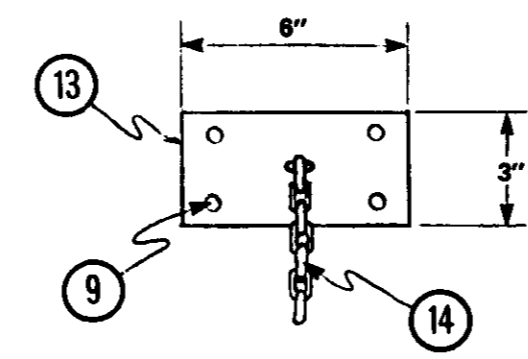


4
1/2



6
1/2

7
1/2



5
1/2

8
1/2

SYM	REVISIONS	CHECKED	DATE	APPROVED

CANADA PLAN SERVICE

INSULATED STORAGE DOORS — DETAILS

not to scale

DESIGNED	DATE	PLAN 6121 SHEET 2 OF 2
DRAWN L. Morgan	REVISED	
TRACED	DETAIL NUMBER	
CHECKED H. A. J.	ORIGINATES ON SHEET A DRAWN ON SHEET C	