

1 NOT TO SCALE

- ONE SET OF PLANS & LEAFLETS SHOULD INCLUDE:**
- Q-6315 (2 sheets) Bulk Potato Storage, 650 tons, 2 bins
  - 6110 (1 sheet) Bulk Vegetable Storage Wall (not refrigerated)
  - 6115 (1 sheet) Bulk Vegetable Storage Interior Wall
  - 6121 (2 sheets) Insulated Storage Doors
  - 6131 (1 sheet) Steel Ceiling Diaphragm for Fruit & Vegetable Storage
  - 9374 (1 sheet) Plywood Ceiling Diaphragm
  - 9102 (leaflet) Truss Erection and Bracing

- 1 PERSPECTIVE
- 2 FLOOR PLAN
- 3 Insulated storage doors 14' x 14'. See Plan 6121.
- 4 Interior bulk storage wall (optional). For details see Plan 6115.
- 5 Exterior bulk storage wall. for details see Plan 6110.
- 6 Electrical room 6' x 8'.
- 7 Electrical entrance panel.
- 8 Water pressure tank and controls.
- 9 Well and submersible pump.
- 10 Portable humidifier with water supply.
- 11 4500 cfm fan at 1" s.p., adapted to header duct 19.
- 12 18" diameter x 60' long steel or PVC ventilation ducts with 2' rows of holes for a total hole area of 1.75 sq ft (i.e., 1-3/8" holes at 9-1/8" o.c.
- 13 Moveable self supporting bulkheads (optional).
- 14 18" diameter air recirculation plastic tube, at ceiling, with holes both sides and 18" fan at one end, (manual control).
- 15 Ventilation air exhaust gravity louvres and extended wind hood.
- 16 Interior wall and ceiling sheathing installed before 4 is in place.
- 17 Inlet fan thermostat and manual control switch located on bin wall.
- 18 Air inlet fan for ventilation.
- 19 Plywood header duct, approx. 1-1/2' x 2', connecting fan 11 to bin ducts 12.

**SPECIFICATIONS**

Unless otherwise specified, all cast-in-place concrete is to be min. 4,000 psi @ 28 days, 6% air entrainment.

All reinforcing steel to be min. 40,000 psi deformed bars; provide 2" concrete cover over reinforcing steel.

All exposed steel to be galvanized or painted to resist corrosion from moisture.

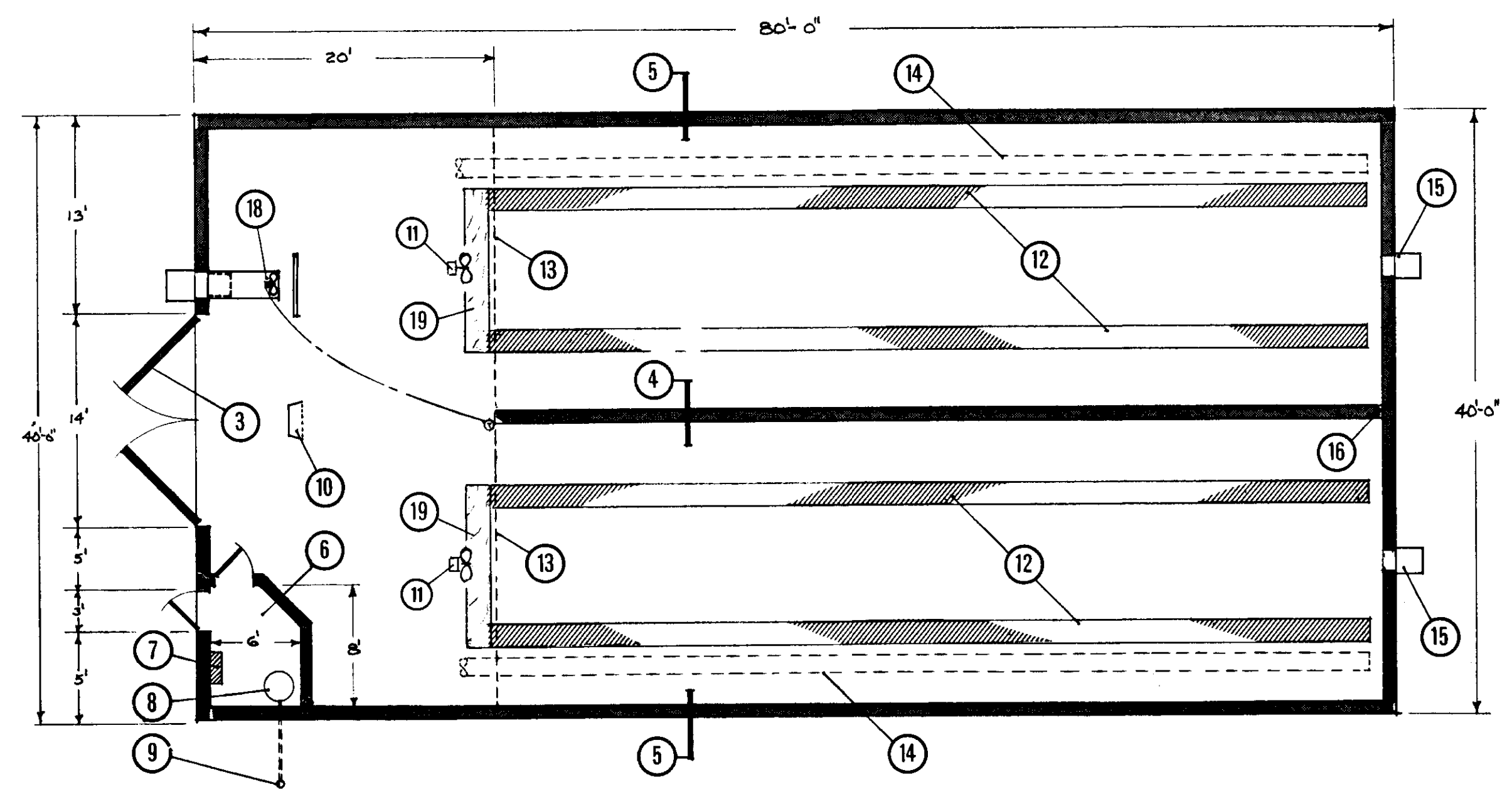
All wood indicated 'pressure-treated' is CCA pressure-treated to a net retention of 0.4 lb/ft<sup>3</sup> (ground contact specification, CSA-080 Wood Preservation).

All nails exposed to treated wood and/or humid atmosphere to be hot-dip galvanized.

All framing lumber is No. 2 (or better), S-P-F species group, unless otherwise specified.

This plan conforms to the requirements of the Canadian Farm Building Code. The user of this plan must ensure that the design criteria indicated herein will meet all local design conditions, building regulations and special requirements.

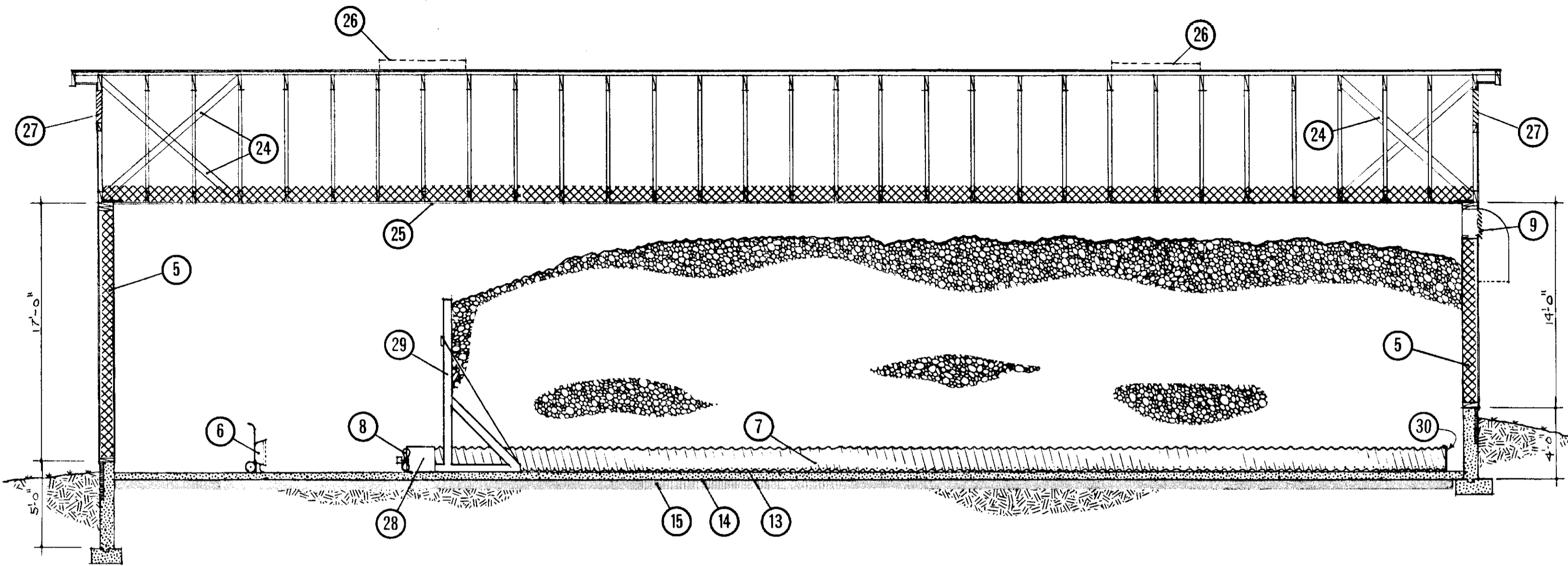
Roof trusses to suit local snow load plus increased wall force due to potato pressure



2 SCALE 1/8" = 1'-0"

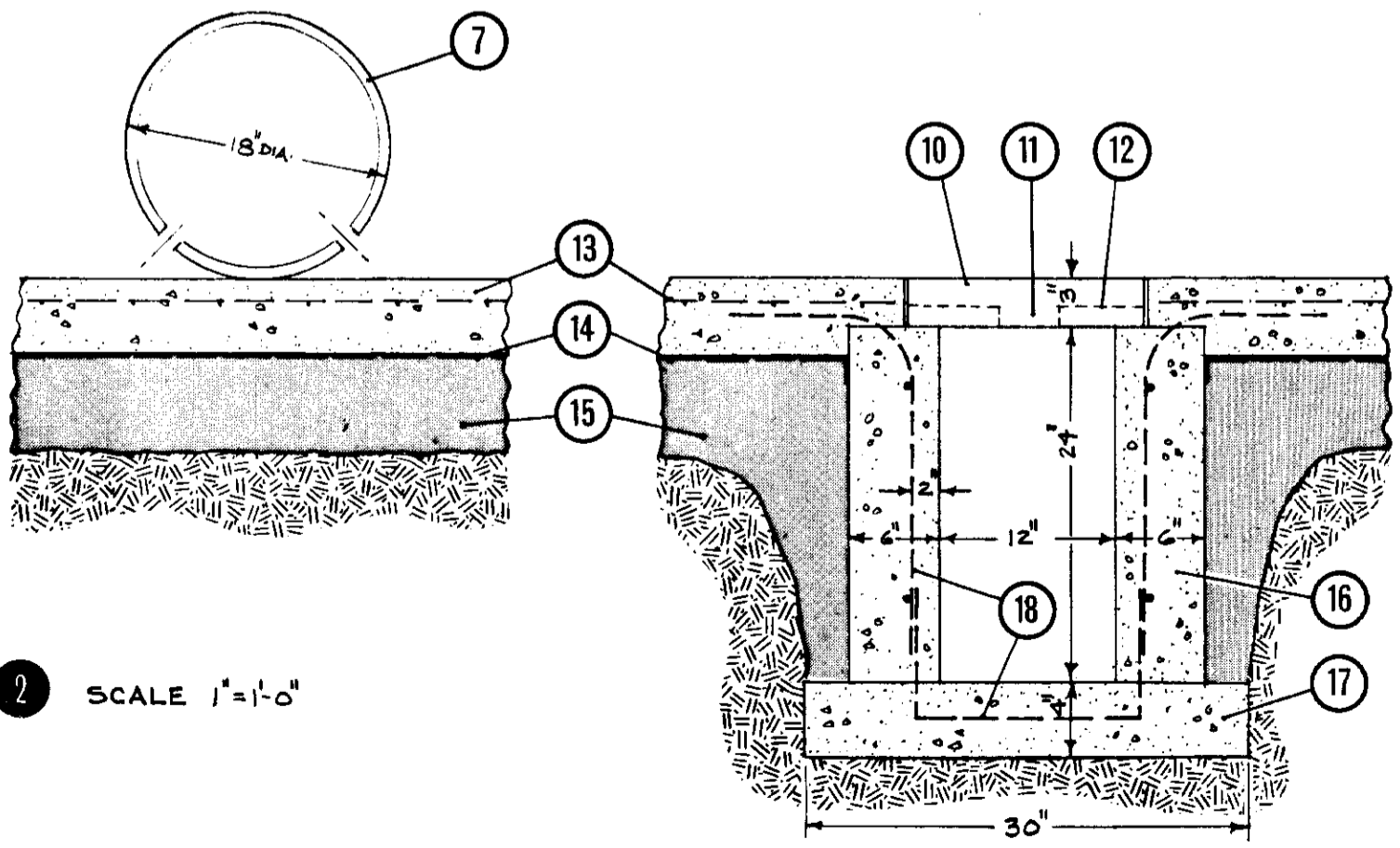
**CANADA** quick release plan  
 PLAN SERVICE  
 DWG. NO. Q-6315 SHEET 1 OF 2  
 DATE June 1988

Sym	Revisions	Checked	Date	Approved
				Title
				<b>Bulk Potato Storage</b>
				<b>650 Tons - 2 Bins</b>
		Date	10-86	Plan 65620
		Designed	G.L.	<b>6-86-20</b>
		Drawn	R.C.	
		Checked	G.L.	
				Sheet 1 of 2



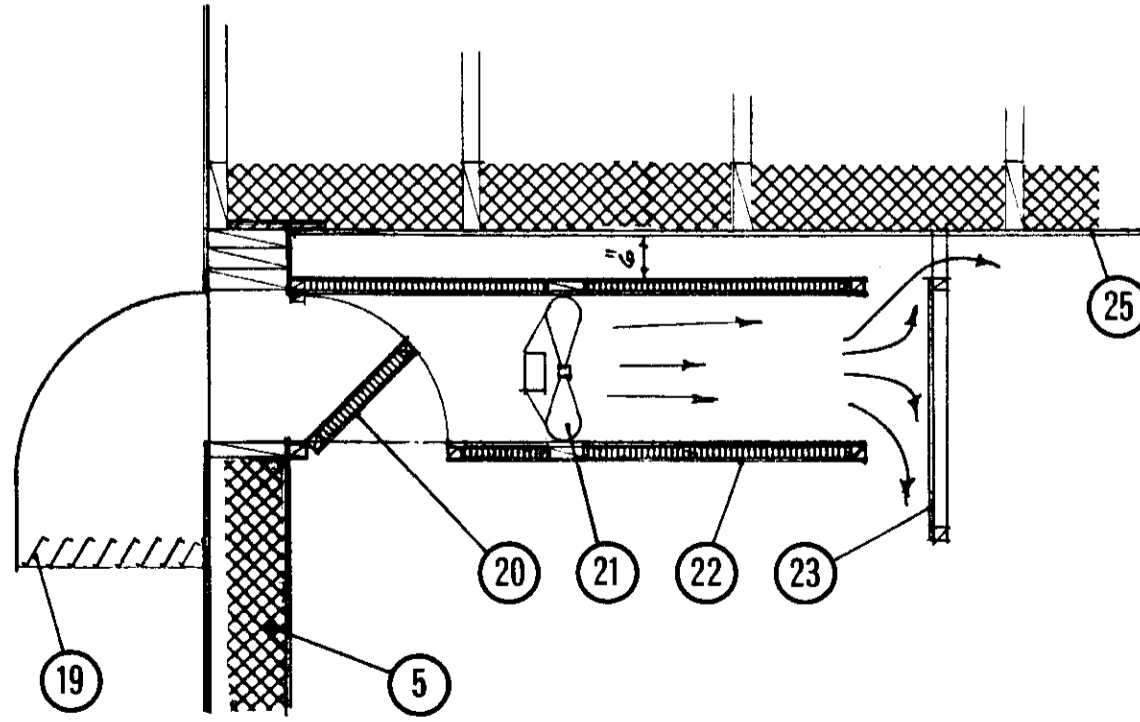
1 SCALE 3/16" = 1'-0"

- 1 Longitudinal section
- 2 Ventilation duct on top of floor
- 3 Ventilation duct in the floor (optional)
- 4 Recirculating type air inlet
- 5 Exterior bulk storage wall. For details see plan 6110
- 6 Portable humidifier with water supply
- 7 18" diameter x 60' steel or PVC ventilation ducts; with 2 rows of holes, for a total hole area of 1.75 sq ft (i.e. 1-3/8" holes at 9-1/8" o.c.)
- 8 4500 cfm fan, at 1" s.p.
- 9 Air exhaust gravity louvers and extended wind hood
- 10 3" x 6" x 16" planking spaced 1" apart
- 11 1" x 3" ventilation slot between each plank
- 12 2-1" x 1" x 6-1/2" blocking pieces nailed to 10
- 13 5" concrete floor, 6" x 6", 6/6 wire mesh
- 14 6 mil polyethylene vapor barrier
- 15 6" granular fill
- 16 6" x 24" concrete wall
- 17 4" x 30" concrete footing
- 18 10 M rebar at 16" o.c. both ways
- 19 Air inlet wind hood with gravity louvers
- 20 Insulated adjustable damper
- 21 24" diameter air inlet fan - 2 speed
- 22 Insulated plywood duct
- 23 Air deflector
- 24 Truss bracing, see leaflet 9102
- 25 Steel or plywood diaphragm ceiling detail. See plan nos. 6131 or 9374
- 26 Ridge ventilator (optional)
- 27 Louvered, screened attic vents
- 28 Plywood header duct, approximately 1-1/2' x 2' connecting fan to 2' bin ducts
- 29 Moveable self-supporting bulkhead (optional)
- 30 End cap



2 SCALE 1" = 1'-0"

3 SCALE 1" = 1'-0"



4 SCALE 1/2" = 1'-0"

**CANADA** quick release plan  
 PLAN SERVICE  
 DWG. NO. Q-6315 SHEET 2 OF 2  
 DATE June 1988

Sym	Revisions	Checked	Date	Approved

**ARI** Title  
**Bulk Potato Storage**  
 Department of AGRICULTURE  
**650 Tons - 2 Bins**

Date	10-86	Plan
Designed	G.L.	<b>6-86-20</b>
Drawn	P.C.	
Checked	G.L.	

Sheet 2 of 2