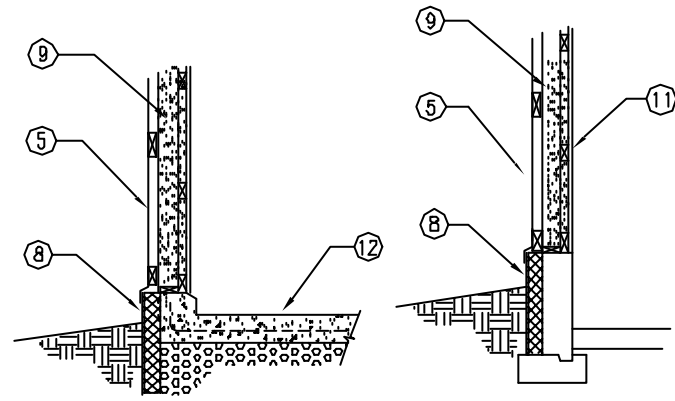


A



B

C

1. insulated storage wall
  2. pallet bins, standard 1016 x 1220 (40" x 48")
  3. unit cooler
  4. air circulation pattern
  5. exterior siding
  6. additional batt insulation as req'd
  7. 100 - 150 (4" - 6") rigid foam insulation in two layers
  8. rigid foam insulation with protective covering
  9. urethane insulation applied from outside onto inner wall sheathing
  10. impervious interior liner
  11. pressure-treated purlins so foam completely wraps the studs.
  12. concrete floor
  13. insulated storage door
  14. trussed rafters to suit local design
  15. compressor and condenser unit
- A. rigid foam option  
 B. spray foam option  
 C. alternative foundation

Walk-In Cooler

SYM	REVISION	DRAWN	DATE	APPROVED
-----	----------	-------	------	----------

--	--

DESIGNED	Dave's Darby	DATE	1998-04	PLAN 6319 SHEET 1 OF 1
DRAWN	Dave's Darby	REVISION		
SCALE	N.T.S.	DETAIL NUMBER	A	
CHECKED		DATE OF SHEET	C	